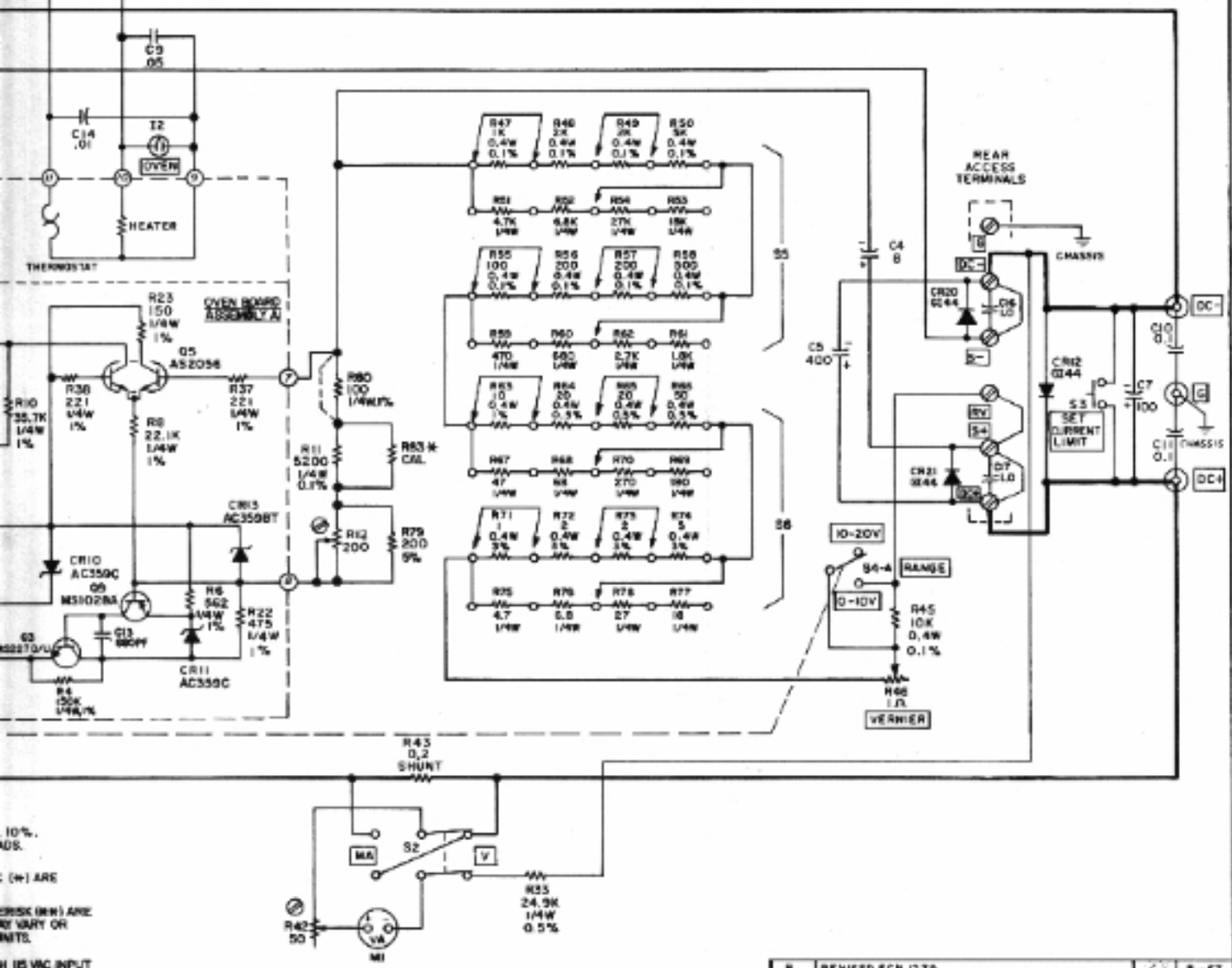


AMPLIFIER BOARD  
LOCATION OF COMPONENTS



10%  
10S.  
(\*) ARE  
CRISK (MW) ARE  
RE VARY OR  
UNITS.  
H IS VAC INPUT  
D. MEASUREMENTS  
OR DC AND 1000L/  
WHERE OTHERWISE

NOTICE  
PATENTS HAVE BEEN GRANTED, PATENT  
APPLICATIONS ARE PENDING OR IN PROCESS  
OF PREPARATION ON THE PROPRIETARY  
PORTIONS OF THE CIRCUITS SHOWN ON  
THIS DRAWING REPRODUCTION IN WHOLE OR  
IN PART MAY NOT BE MADE WITHOUT PERMISSION.

| REV.         | DESCRIPTION       | APP'D.       | DATE  |
|--------------|-------------------|--------------|-------|
| R            | REVISED, ECH 1279 |              | 8-67  |
| P            | UPDATED           |              | 11-66 |
| M            | REVISED, DCN 1090 |              | 6-66  |
| M            | REVISED, DCN 1081 |              | 4-66  |
| SYM.         | DESCRIPTION       | APP'D.       | DATE  |
| REVISIONS    |                   |              |       |
| DRAWN        | CHECKED           | APP'D.       |       |
| DATE 8/10/67 | DATE 11/16/67     | DATE 1/16/68 |       |

