

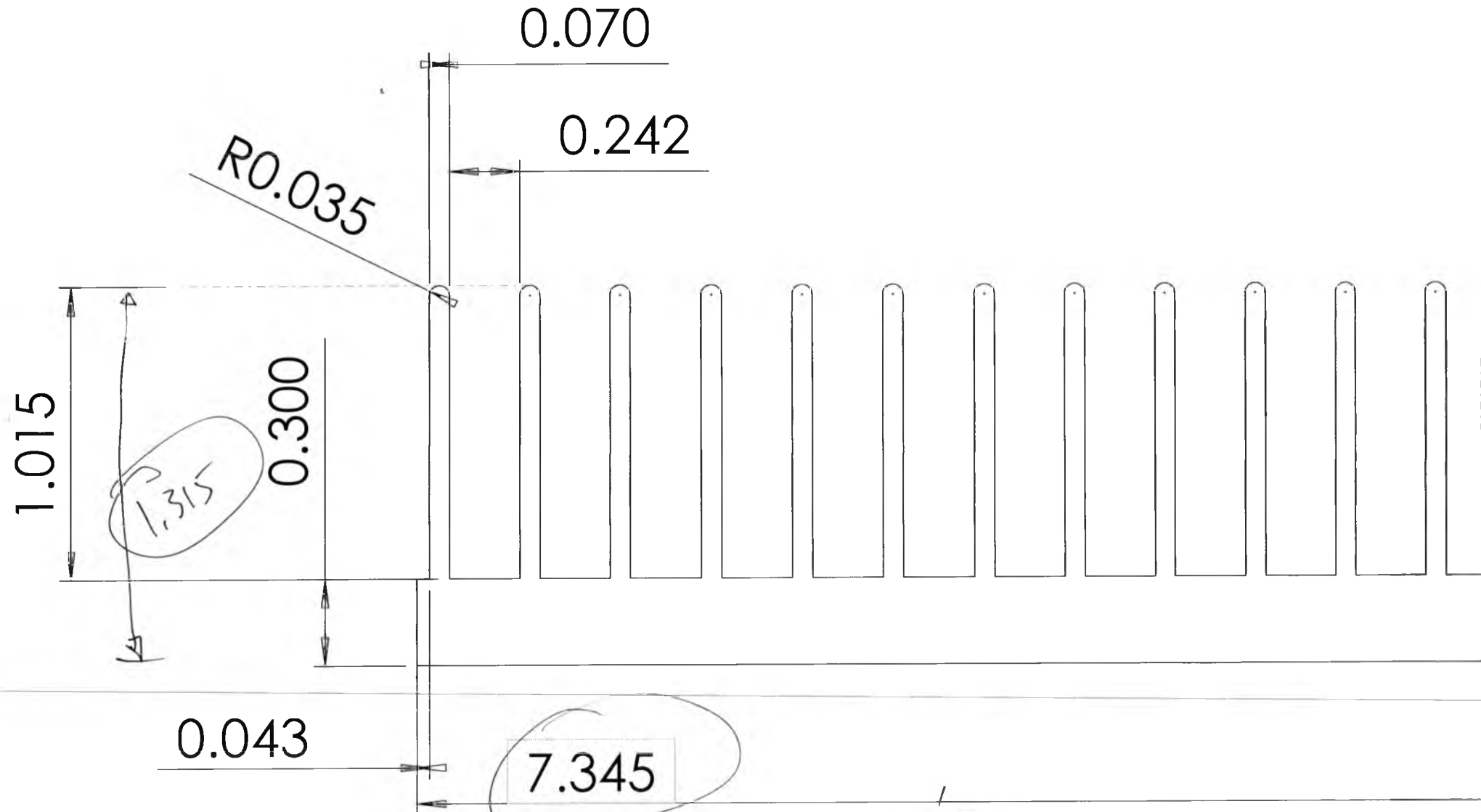
Inner Panel for extrusion support

(0.78)

(1)

(4.15)

(7.28)



1.815
 1.315
 7.345
 9.975

