



**B U C K E Y E**  
shapeform

555 Marion Road  
Columbus, OH 43207  
Phone: (614)-445-8433  
Toll Free: (800)-728-0776  
Fax: (614)-445-8224  
[www.buckeyeshapeform.com](http://www.buckeyeshapeform.com)

## SM ASSEMBLY INSTRUCTIONS

Note: Case shown has optional ventilation for illustration purposes.

Fig. 1: Attach side panels to rear panel with (4) 6-32 x 3/8 Pan Head screws.

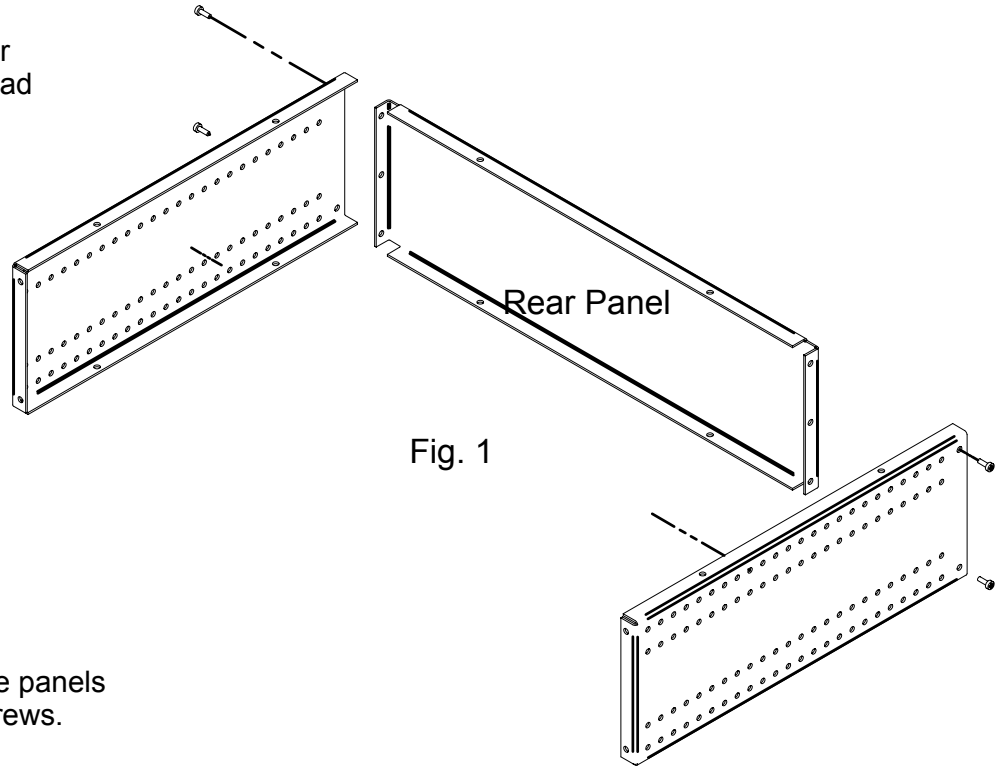
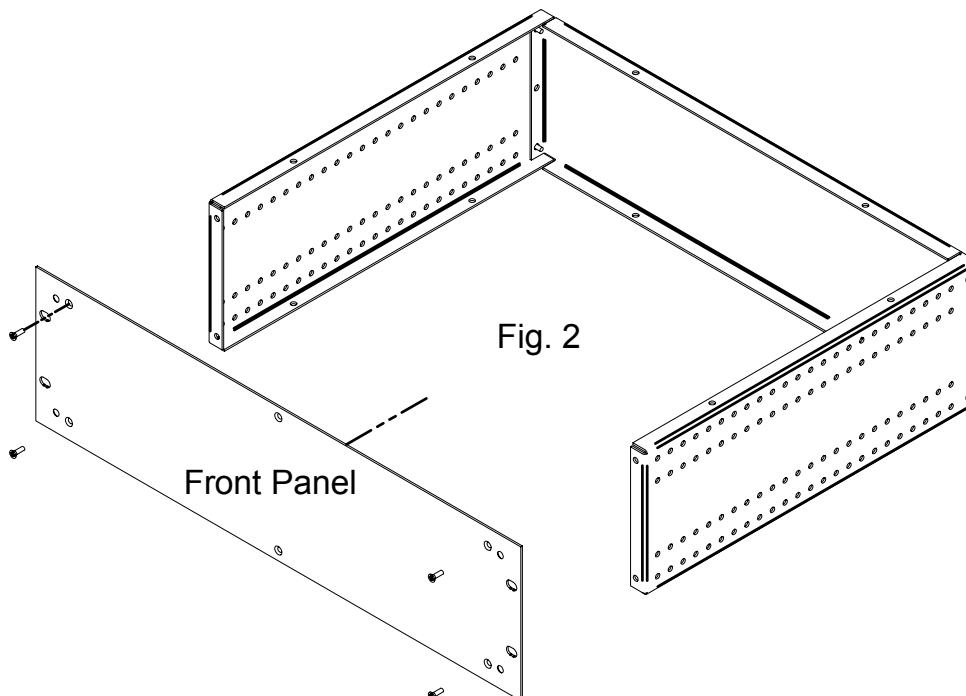


Fig. 2: Attach front panel to side panels with (4) 6-32 X 7/16 flat head screws.



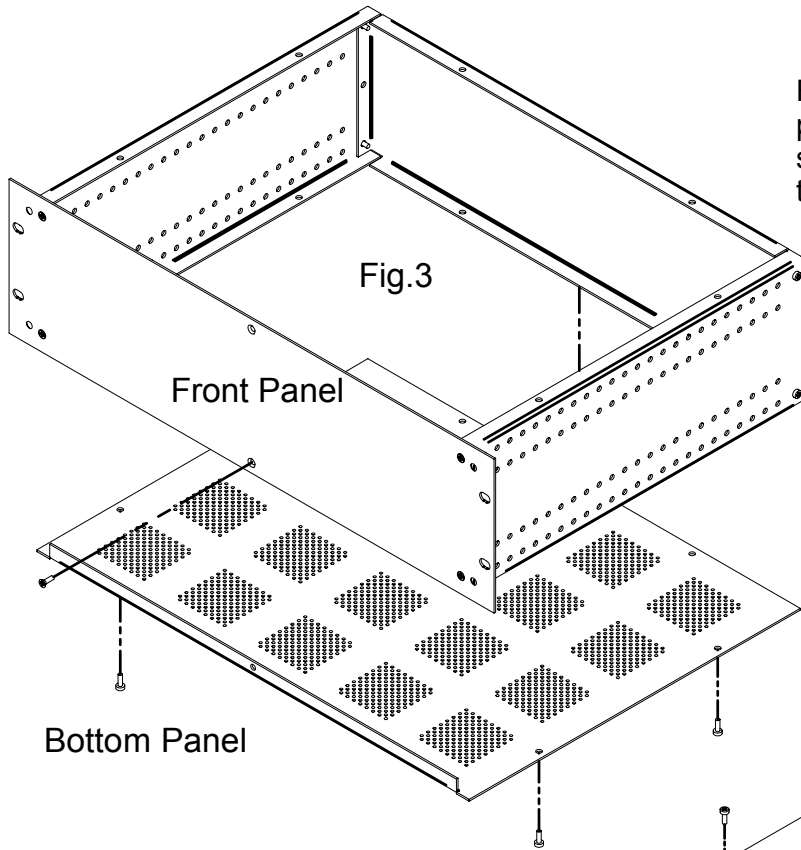


Fig. 3: Attach bottom panel to side panels with (6) 6-32 X 3/8 pan head screws and (1) 6-32 X 7/16 flat head screw through front panel.

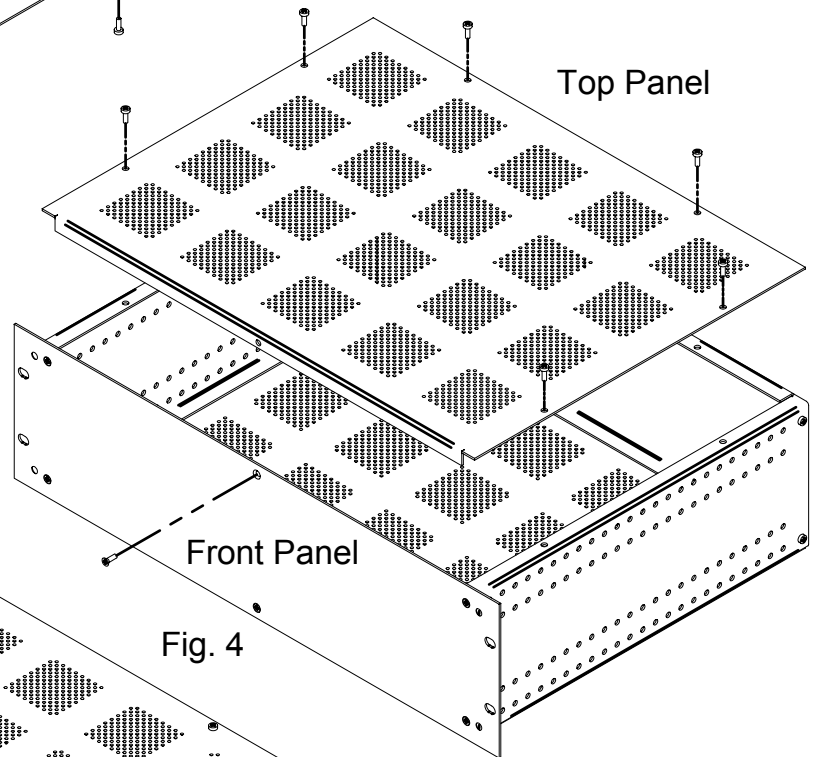


Fig. 4: Attach top panel to side panels with (6) 6-32 X 3/8 pan head screws and (1) 6-32 X 7/16 flat head screw through front panel.

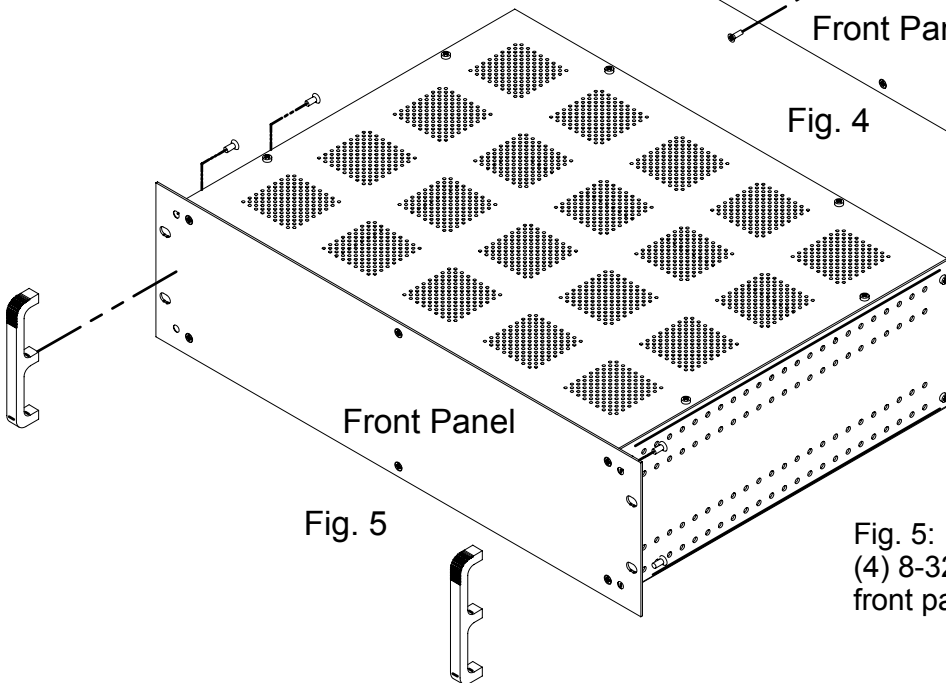


Fig. 5: Attach optional pull handles with (4) 8-32 X 3/8 flat head screws from rear of front panel into handles.