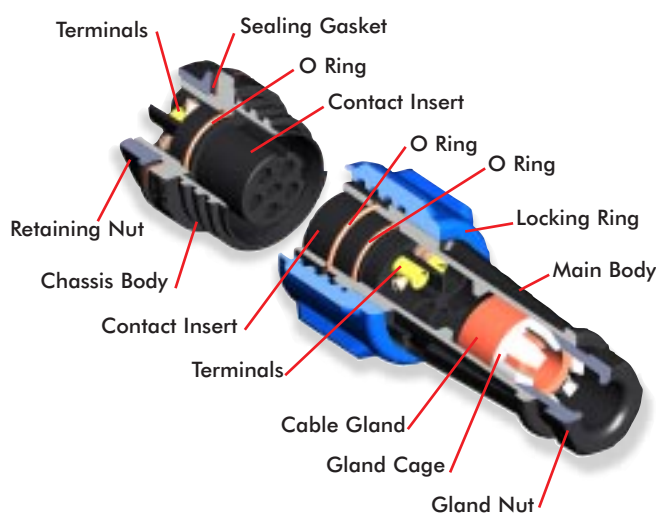


## 900 Series Buccaneer®



**IP68**



- 32A, 600V ac/dc current rating
- 2, 3, 4, 5 and 7 pole
- Plug or socket connection in each body style
- Water and dustproof to IP68 when mated
- 'Scoop proof' contacts
- Field termination - screw terminations
- Optional internally sealed contacts
- Positive locating keyways - cannot be misconnected
- Sealing caps available to maintain IP68 rating of unmated connectors
- Leading earth contact for 3, 4, 5 and 7 pole versions
- Trailing Neutral on 5 pole
- Compact design
- Easy assembly - no special tools required
- Single or 3 phase applications
- Alternative polarisation keyways on contact inserts (excluding 7 pole)
- Bulkhead moulding available for use with flange mounting body for 45° or 90° mounting (order each separately)
- Cost effective solution
- Two body versions - 15mm and 22mm cable diameters
- Separate strain relief on large cable version

# 900 Series Buccaneer

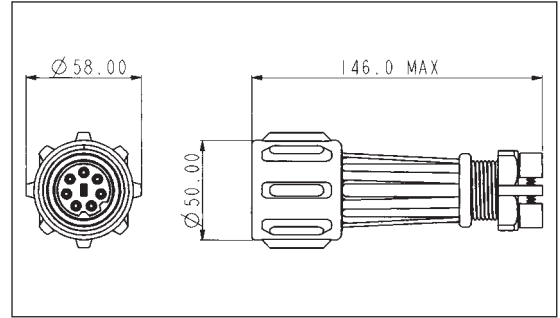
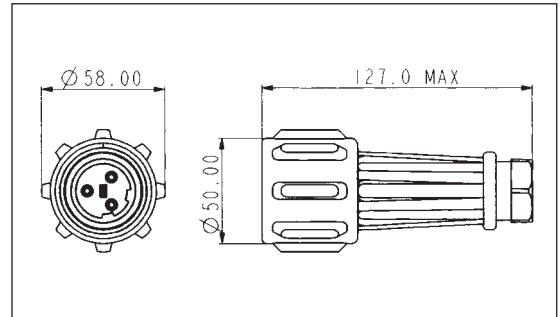


PX0911/xx/x



PXA911/xx/x

- Flex cable connector
- Positive, fast acting locking ring - can be turned with a gloved hand
- Mates with cable or panel styles
- Plug or socket versions
- PX0 Series 13-15mm cable dia. as standard, 7-13mm with additional gland pack
- PXA Series 20-22mm cable dia. as standard, 14-20mm with additional gland pack
- Strain Relief Clamp (PXA Series only)



## Flex Cable

Standard Cable	Large Cable	Description	Standard Cable	Large Cable	Description
PX0911/02/P	PXA911/02/P	2 pole Plug	PX0911/02/S	PXA911/02/S	2 pole Socket
PX0911/03/P	PXA911/03/P	3 pole Plug	PX0911/03/S	PXA911/03/S	3 pole Socket
PX0911/04/P	PXA911/04/P	4 pole Plug	PX0911/04/S	PXA911/04/S	4 pole Socket
PX0911/05/P	PXA911/05/P	5 pole Plug	PX0911/05/S	PXA911/05/S	5 pole Socket
PX0911/07/P	PXA911/07/P	7 pole Plug	PX0911/07/S	PXA911/07/S	7 pole Socket

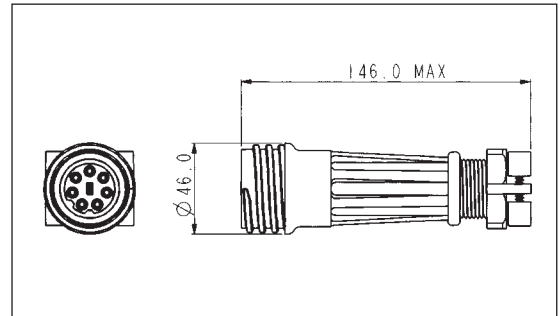
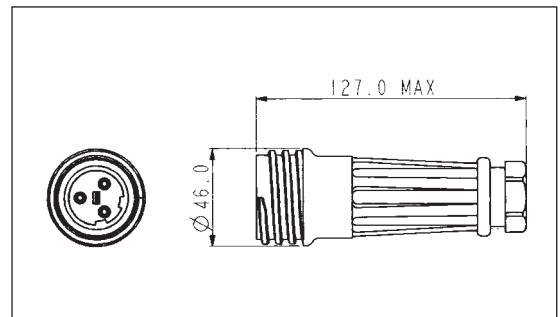


PX0921/xx/x



PXA921/xx/x

- In-line flex cable connector
- Mates with PX0911/xx/x and PXA911/xx/x connectors
- Plug or socket versions
- PX0 Series 13-15mm cable dia. as standard, 7-13mm with additional gland pack
- PXA Series 20-22mm cable dia. as standard, 14-20mm with additional gland pack
- Strain Relief Clamp (PXA Series only)



## In-Line Flex Cable

Standard Cable	Large Cable	Description	Standard Cable	Large Cable	Description
PX0921/02/P	PXA921/02/P	2 pole Plug	PX0921/02/S	PXA921/02/S	2 pole Socket
PX0921/03/P	PXA921/03/P	3 pole Plug	PX0921/03/S	PXA921/03/S	3 pole Socket
PX0921/04/P	PXA921/04/P	4 pole Plug	PX0921/04/S	PXA921/04/S	4 pole Socket
PX0921/05/P	PXA921/05/P	5 pole Plug	PX0921/05/S	PXA921/05/S	5 pole Socket
PX0921/07/P	PXA921/07/P	7 pole Plug	PX0921/07/S	PXA921/07/S	7 pole Socket

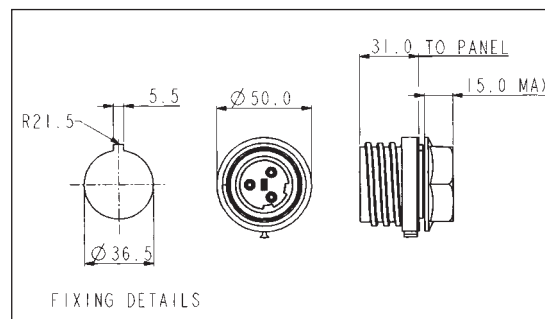
# 900 Series Buccaneer

Issue date: 10.00

Page 3 of 5



- Chassis mounting connector
- Anti-rotation key
- High grade sealing gasket
- 3-7mm panel thickness
- Mates with PX0911/xx/x and PXA911/xx/x connectors

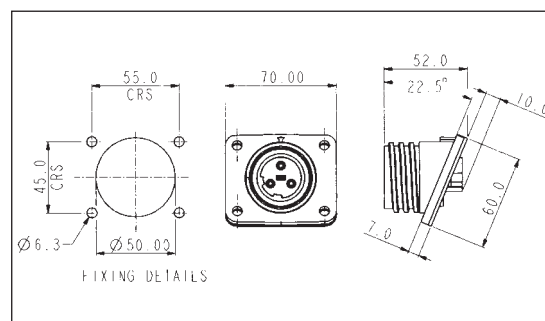


## Chassis Mounting

PX0931/02/P	2 pole Plug	PX0931/02/S	2 pole Socket
PX0931/03/P	3 pole Plug	PX0931/03/S	3 pole Socket
PX0931/04/P	4 pole Plug	PX0931/04/S	4 pole Socket
PX0931/05/P	5 pole Plug	PX0931/05/S	5 pole Socket
PX0931/07/P	7 pole Plug	PX0931/07/S	7 pole Socket



- Flange mounting connector
- Supplied with high grade sealing gasket
- Supplied with sealing grommets for panel fixing screws (M6 thread recommended)
- Mates with PX0911/xx/x and PXA911/xx/x



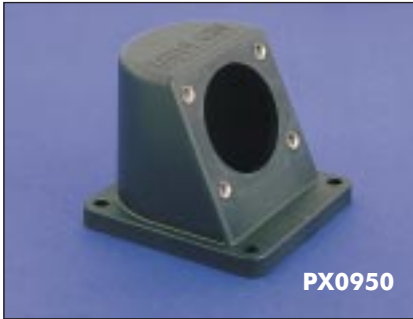
## Flange Mounting

PX0941/02/P	2 pole Plug	PX0941/02/S	2 pole Socket
PX0941/03/P	3 pole Plug	PX0941/03/S	3 pole Socket
PX0941/04/P	4 pole Plug	PX0941/04/S	4 pole Socket
PX0941/05/P	5 pole Plug	PX0941/05/S	5 pole Socket
PX0941/07/P	7 pole Plug	PX0941/07/S	7 pole Socket

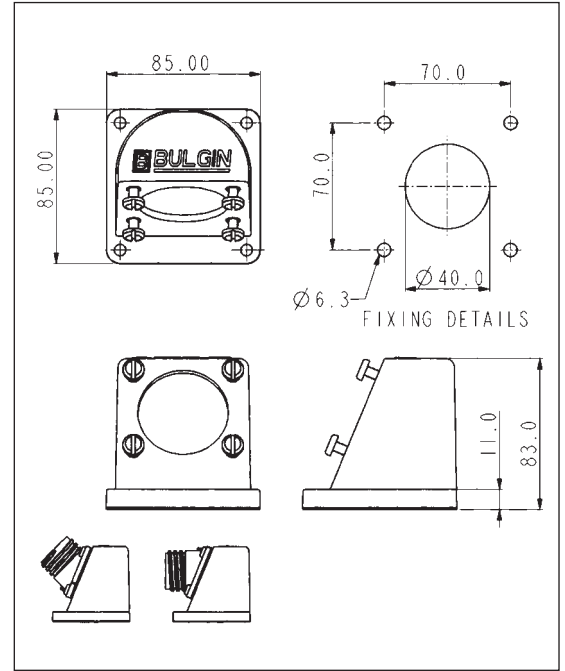
# 900 Series Buccaneer

Issue date: 10.00

Page 4 of 5



- Additional bulkhead adaptor moulding
- For use with flange mounting connector PX0941, to give 45° or 90° angle
- Supplied with high grade sealing gasket
- Supplied with sealing grommets for panel fixing screws (M6 thread recommended)



- Sealing caps to maintain IP68 rating of unmated connectors

## Accessories

PX0960	Sealing cap for use with PX0911/xx/x and PXA911/xx/x
PX0970	Sealing cap for use with all other styles
PX0980	Gland pack for 7-13mm cable sizes
PXA980	Gland pack for 14-20mm cable sizes

## Part No System

PXx9 x x / xx / x x

### Series Designation

09 = Standard Cable Accommodation  
A9 = Large Cable Accommodation

### Body Styles

1 = Flex, 2 = Flex In-line,  
3 = Chassis, 4 = Flange Chassis

### Contact Termination

1 = Screw Terminal

### Number Contacts

02 = 2 pole, 03 = 3 pole,  
04 = 4 pole, 05 = 5 pole  
07 = 7 pole

### Contact Type

P = Plug, S = Socket

### Keyway Orientation

Blank = Standard  
A = Alternative


# 900 Series Buccaneer

Issue date: 10.00

Page 5 of 5

## Specification

### Electrical:

Current Rating:	32A, per contact
Voltage Rating:	600V ac/dc, 50/60Hz (2, 3, 4, 5 pole) 430V a.c./d.c. 50/60Hz (7 pole)
Contact Resistance:	<10mΩ (initial)
Insulation Resistance:	>10 <sup>6</sup> MΩ (@ 500V dc)
Dielectric strength:	2.2kV ac min
AC Breakdown voltage:	6kV a.c. min.
Operating Temperature Range:	-40°C to +85°C
Approvals:	 pending

### Mechanical:

Sealing:	IP68, EN60529
Cable Acceptance:	PX0911-PX0921 13 - 15mm O/D standard, 7-13mm with gland pack PXA911-PXA921 20 - 22mm O/D standard, 14 - 20mm with gland pack
Contact Accommodation:	2.5 to 4mm <sup>2</sup> conductor, single or multi stranded
Termination:	Axial screw terminals
Cable Retention force:	15mm dia, 150N 7mm dia, 80N
Tightening Torques:	
Chassis mount nut	2.25 Nm
Cable gland nut	1.69 Nm
Flange & Bulkhead fixing screws	0.9 Nm

### Material:






Body Mouldings:	Polyamide
Flammability Rating:	UL94V-0
UV Resistance:	To EN50021: 1999
Contacts:	Machined Solid Brass, Nickel plated
O Rings:	Nitrile
Chassis Sealing Gasket:	Silicone Rubber

### Dimensions:

Overall dimensions of connectors when mated together

PX0911 + PX0921	230 mm max.
PXA911 + PXA921	270 mm max.
PX0911 + PX0931	135 mm max. (to panel)
PXA911 + PX0931	175 mm max. (to panel)
PX0911 + PX0941	145 mm max. (to panel, mid point on flange)
PXA911 + PX0941	174 mm max. (to panel, mid point on flange)

## Alternative Keyways (to prevent mis-mating)

Poles	2	3	4	5	7
Standard					
Alternative	