

SERIES 50A SERVO AMPLIFIERS
Models: 30A8, 25A20, 50A8, 50A20

pdf file

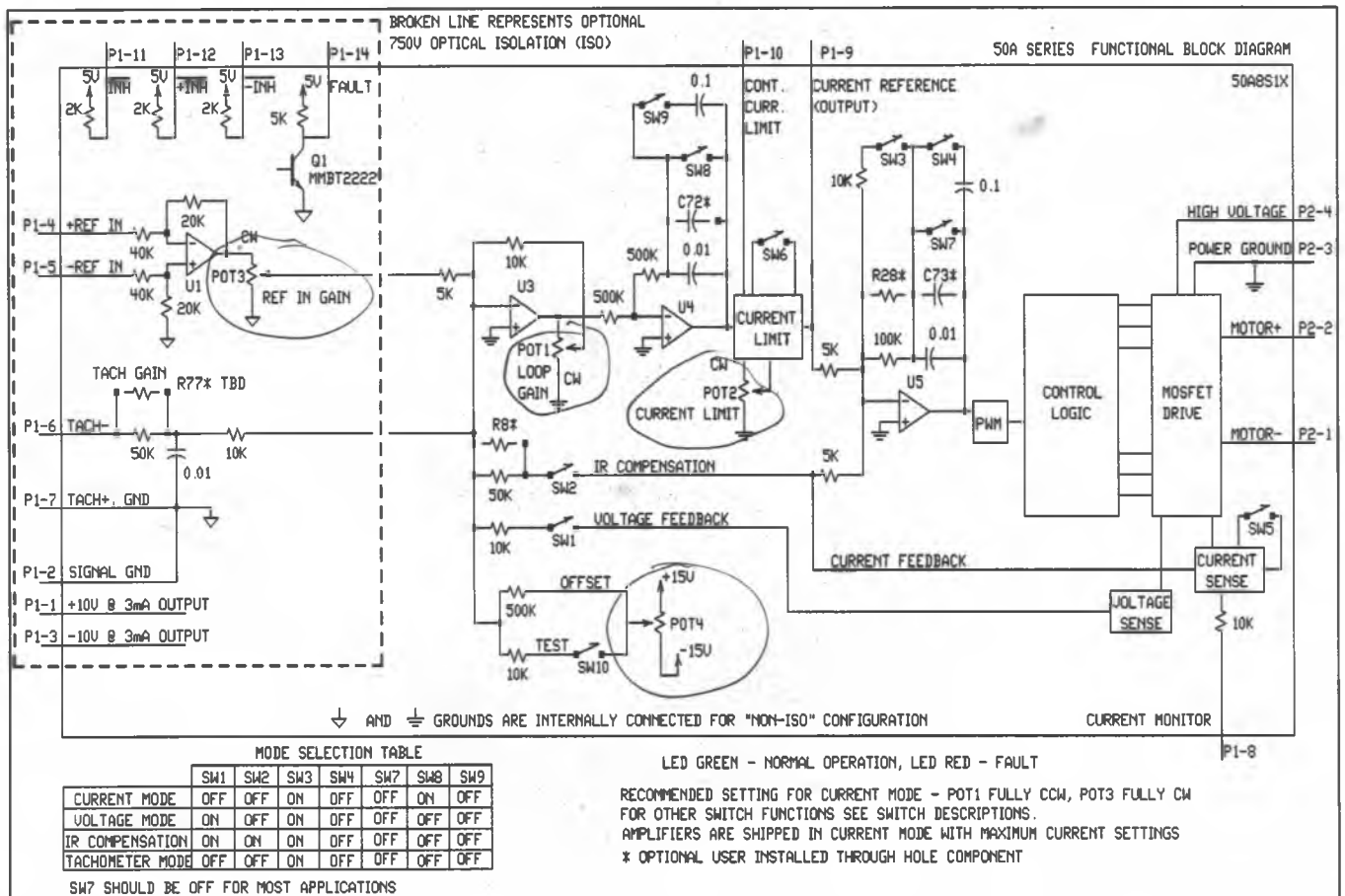
*NOTE
 Different
 specs.*

FEATURES:

- Surface-mount technology
- Small size, low cost, ease of use
- Optional input signal isolation for off-the-rectified 120 VAC line operation
- DIP switch selectable: current, voltage, velocity, IR compensation, analog position loop
- Four quadrant regenerative operation
- Agency Approvals:



BLOCK DIAGRAM:



ADVANCED MOTION CONTROLS
 3629 Vista Mercado, Camarillo, CA 93012

Tel: (805) 389-1935, Fax: (805) 389-1165