

**Subject: Data sheets for 39R encoder**

**Date:** Tue, 28 Aug 2001 10:52:34 -0400

**From:** "Stratis . Susan" <SStratis@drc.com>

**To:** "paul@rako.com" <paul@rako.com>

Paul

Could you please send me your fax number so I can send you the information you requested for this unit. Please note that the model number has changed. But the unit is the same. The new model # 29L-10-B13-625AA.

The cost of a new unit is \$604.00 each. The cost to repair this model is \$278.00. Our turn around time for a new one is usually 48 hours, we do have these units in stock, if for any reason we are out of stock turn around time is 2-3 weeks. The turn around on a repair is approx. 3 weeks.

If there is any other info you need, please do not hesitate to contact me.

Regards  
Sue Stratis



# DYNAMICS RESEARCH CORPORATION

60 CONCORD STREET WILMINGTON, MA 01887  
Tel: 978/658-6100

ENCODER DIVISION  
Customer Service Fax: 978/988-0823

## PRIORITY COMMUNICATION VIA FACSIMILE

TO : Paul Rako  
COMPANY :  
SUBJECT : Optical Encoder  
FROM : Sue Stratiss

DATE :  
TEL: 408-745-1994  
FAX: 408-746-6073

5 PAGES SENT (INCLUDING COVER SHEET)  
If all pages not received or if anything was left out, please contact sender at 978-658-6100 Ext. 2995 or Ext. 2275

MESSAGE: Reference: RMA#: PO#:

Paul  
the following pages are the data sheets you requested. We can supply a 1270 resolution unit, but that would be an inverted ZK 1 cycle wide. Could you use that?

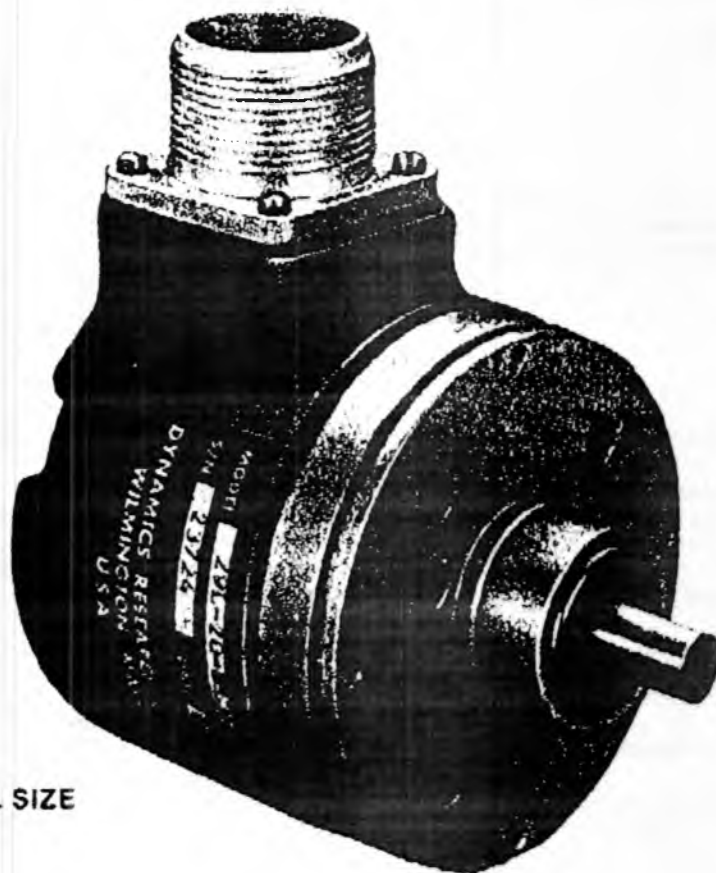
Regards  
Sue

Confidentiality Note: This facsimile, and any attachment to it, contains privileged and confidential information intended only for the use of the individual(s) or entity named on the facsimile cover sheet. If the reader of this facsimile is not the intended recipient or the employee of agent responsible for delivering it to the intended recipient, you are hereby notified that reading or disclosure of this facsimile is strictly prohibited. If you have received this facsimile in error, please immediately call the sender and the sender will have the facsimile returned to the sender at no cost to you. DRC thanks you for your cooperation and adherence to ethical business practices.



# MODEL 29L

## Incremental Optical Rotary Encoder

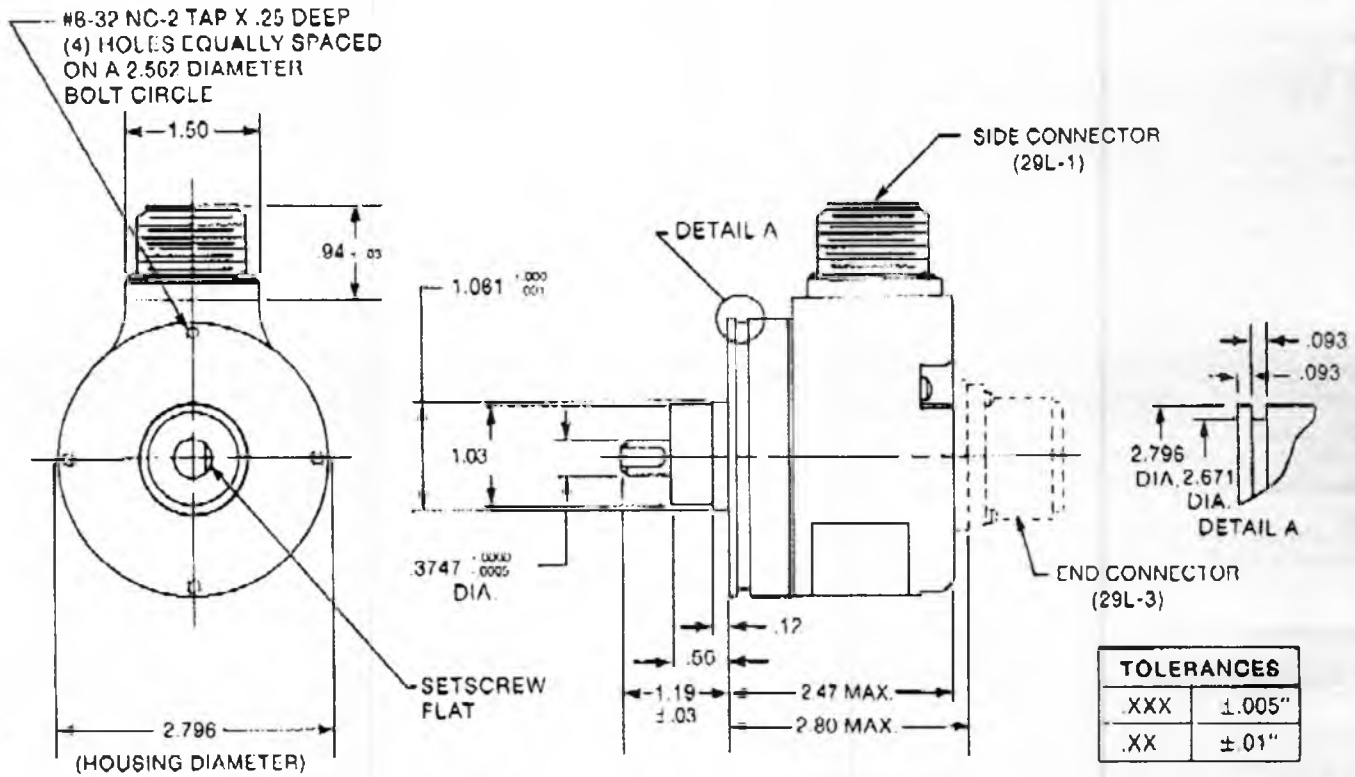


ACTUAL SIZE

- Heavy duty Industrial encoder
- LED light sources
- Up to 12,000 counts per shaft revolution
- Sealed bearings are standard for maximum reliability

The Model 29L has been designed for heavy duty applications where reliability is a prime consideration. Featuring LED light sources rated at 100K hours MTBF, and a sealed shaft and bearing assembly rated for  $1 \times 10^9$  revolutions with 30 pound axial and radial loads, the Model 29L is ideal for machine tool, robotics and other harsh environment applications. The 29L is provided with a combination bolt circle/synchro mount housing to facilitate installation, and an optional shaft seal can be supplied to resist bearing contamination. The 29L provides a maximum of 12,000 counts per revolution through the use of an internal multiplier/direction decoding circuit. This option increases the basic disc resolution by factors of 1, 2 or 4. For high ambient noise or long transmission length applications, TTL or CMOS compatible line drivers are available. Dual resolution models can also be provided.

FIGURE 4



**Warranty**

DRC warrants its products against defects in materials and workmanship under normal and proper use and service for a period of one year from the initial date of shipment. The warranty period for products repaired or replaced during the first six months of the original one year warranty will extend to the expiration date of the original warranty. The warranty period for products repaired or replaced during the last six months of this initial one year new product warranty, and for products repaired or replaced after the expiration of this initial one year new product warranty, is limited to a period of six months from the date of shipment of the repaired or replaced unit.

This warranty does not apply to any product which has been operated at other than specified voltages or currents, or which has been subjected to abuse, or which has been disassembled or otherwise tampered with or altered.

DRC's obligation under this warranty is limited to, at DRC's election, furnishing without charge, F.O.B. Wilmington, Massachusetts, a replacement for any defective product or part, or repairing such product or part.

The foregoing warranty is exclusive of and in lieu of all other warranties whether written, oral or implied.

**THE ENCODER PEOPLE**



ENCODER DIVISION  
60 CONCORD STREET  
WILMINGTON, MASSACHUSETTS 01887-2193  
TEL 617/658-6100 1WX 710-347-6711 (DRC ENCDR)

October 1985  
Printed in USA 5MAAINP