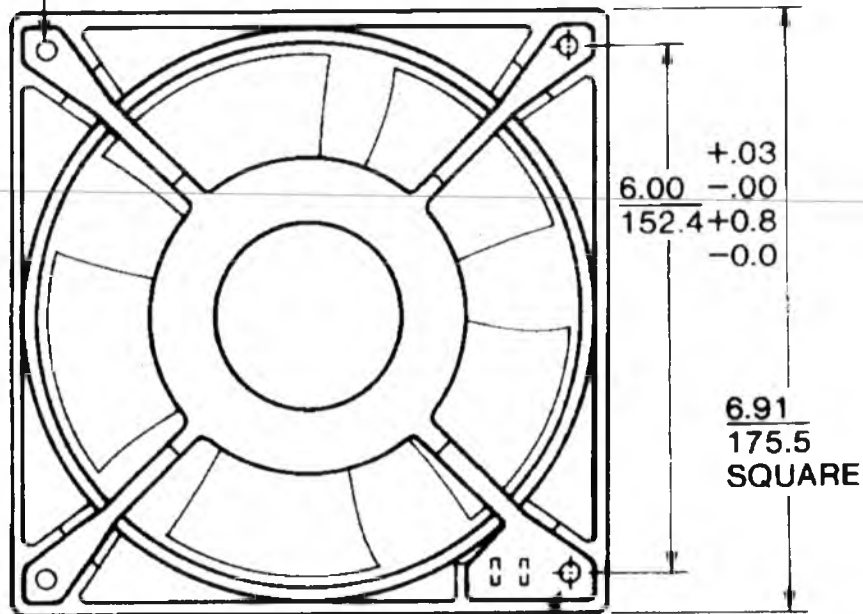


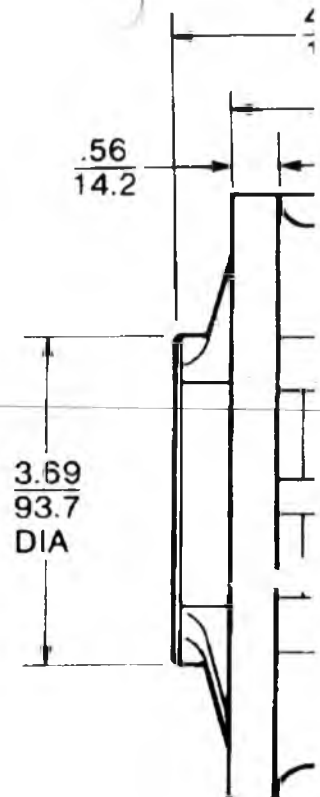
ROTATION

$\frac{.208}{5.28}$ DIA
4 HOLES EACH SIDE



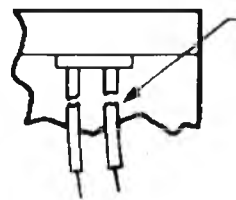
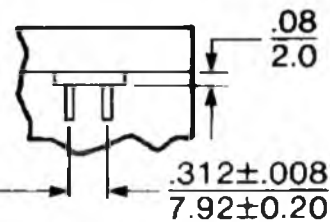
$\frac{+0.03}{6.00 - .00}$
 $\frac{152.4 + 0.8}{-0.0}$

$\frac{6.91}{175.5}$
SQUARE



2 SOLDER TERMINALS
 $\frac{.31}{7.9}$ LONG
 $\frac{.125 \pm .002}{3.2 \pm 0.05}$ WIDE
 $\frac{.020 \pm .002}{0.5 \pm 0.05}$ THICK
 (WILL FIT PLUG
 AND CORD #428056 OR 550440)

THIS MOUNTING HOLE CAN
BE USED FOR GROUND



OPTIONAL:
2 LEADS $\frac{11.00}{279.4}$

MIN. LONG,
18 AWG,
STRIPPED
 $\frac{.50 \pm .12}{12.7 \pm 3}$

Suggested Mounting - Recommended cutout diameter in customer panel is $\frac{6.75}{171.4}$