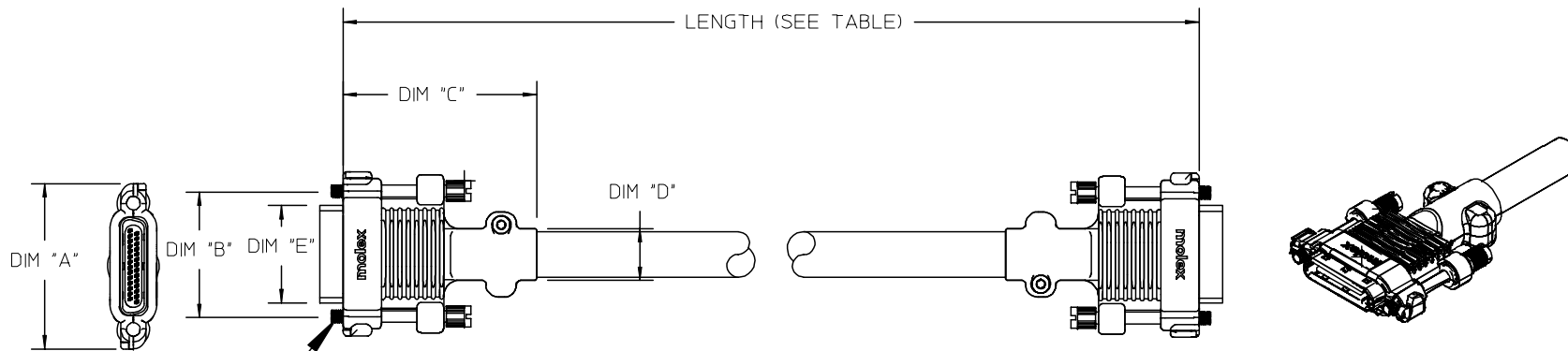


PART NO.	CIRCUIT SIZE	LENGTH	JACK SCREW THREAD TYPE	'A' DIM	'B' DIM	'C' DIM	'D' DIM	'E' DIM
79925-0001	18	1 MT	4-40 JACKSCREW P/N	1319/33.51	.950/24.13	1.835/46.62	.490/12.45	.672/17.07
79925-0002		3 MTS	(STANDARD)					
79925-0003		1 MT	M3 JACKSCREW P/N					
79925-0004		3 MTS	(SPECIAL)					
79925-0005	28	1 MT	4-40 JACKSCREW P/N	1569/39.86	1.200/30.48	1.835/46.62	.490/12.45	.922/23.42
79925-0006		3 MTS	(STANDARD)					
79925-0007		1 MT	M3 JACKSCREW P/N					
79925-0008		3 MTS	(SPECIAL)					
79925-0009	38	1 MT	4-40 JACKSCREW P/N	1819/46.21	1.450/36.83	2.270/57.65	.490/12.45	1.072/29.77
79925-0010		3 MTS	(STANDARD)					
79925-0011		1 MT	M3 JACKSCREW P/N					
79925-0012		3 MTS	(SPECIAL)					
79925-0013	48	1 MT	4-40 JACKSCREW P/N	2.069/52.56	1.700/43.18	2.478/62.93	.569/14.45	1.422/36.12
79925-0014		3 MTS	(STANDARD)					
79925-0015		1 MT	M3 JACKSCREW P/N					
79925-0016		3 MTS	(SPECIAL)					
79925-0017	72	1 MT	4-40 JACKSCREW P/N	2.669/67.80	2.300/58.42	2.741/69.62	.726/18.45	2.022/51.36
79925-0018		3 MTS	(STANDARD)					
79925-0019		1 MT	M3 JACKSCREW P/N					
79925-0020		3 MTS	(SPECIAL)					

- NOTES:
- PLUG MATERIALS:
 - SHIELD - DEEP DRAWN STEEL
 - HOUSING - GLASS FILLED POLYMER, BLACK, UL 94V-0
 - CONTACTS - COPPER ALLOY, OVERMOLDED WITH GLASS FILLED POLYMER, BLACK, UL 94V-0
 - BACKSHELLS MATERIALS:
 - BACKSHELL - ZINC ALLOY DIE CAST, FINISH BLACK POLYURETHANE ENAMEL. (NICKLE PLATED BACK SHELLS AVAILABLE. CONTACT PRODUCT MANAGER FOR INFORMATION)
 - JACKSCREW - STEEL ALLOY, FINISH BLACK OXIDE.
 - MOUNTING SCREW - STEEL ALLOY, FINISH BLACK ZINC PLATING.
 - ELECTRICAL SPECIFICATIONS:
 - 100 OHMS DIFFERENTIAL IMPEDANCE
 - HIGH SPEED DIFFERENTIAL PAIRS
 - INDIVIDUAL PAIR AND OVERALL SHIELDS TO MINIMIZE CROSSTALK AND RADIATED EMISSIONS



SEE TABLE FOR THREAD TYPE

PRELIMINARY EC NO: MEX2004-0041 DRWN: AOROZCO 2003/09/17 CHKD: GVILLAGR 2003/09/17 APPR: GVILLAGR 2003/09/18	QUALITY SYMBOLS ▽ - 0 ▽ = 0	GENERAL TOLERANCES (UNLESS SPECIFIED)		SCALE	DESIGN UNITS	THIRD ANGLE PROJECTION REVISE ON CAD ONLY	
		4 PLACES	± ---	± ---	---		INCH
		3 PLACES	± ---	± ---	DIMENSION STYLE		TITLE TDP 100OHMS DIFFERENTIAL CABLE ASSEMBLY 72CKT 3MT 4-40 JACKSCREW
		2 PLACES	± ---	± ---	IN/MM		
		1 PLACE	± ---	± ---	DRAWN BY	DATE	
ANGULAR ±1/2°		DRAFT WHERE APPLICABLE MUST REMAIN WITHIN DIMENSIONS		AOROZCO	09/15/2003	MOLEX INCORPORATED MATERIAL NO. VARIOS DOCUMENT NO. SD-79925-018 SHEET NO. 1 OF 1	
				APPROVED BY	DATE		
				ACUEVAS	09/15/2003	THIS DRAWING CONTAINS INFORMATION THAT IS PROPRIETARY TO MOLEX INCORPORATED AND SHOULD NOT BE USED WITHOUT WRITTEN PERMISSION	