

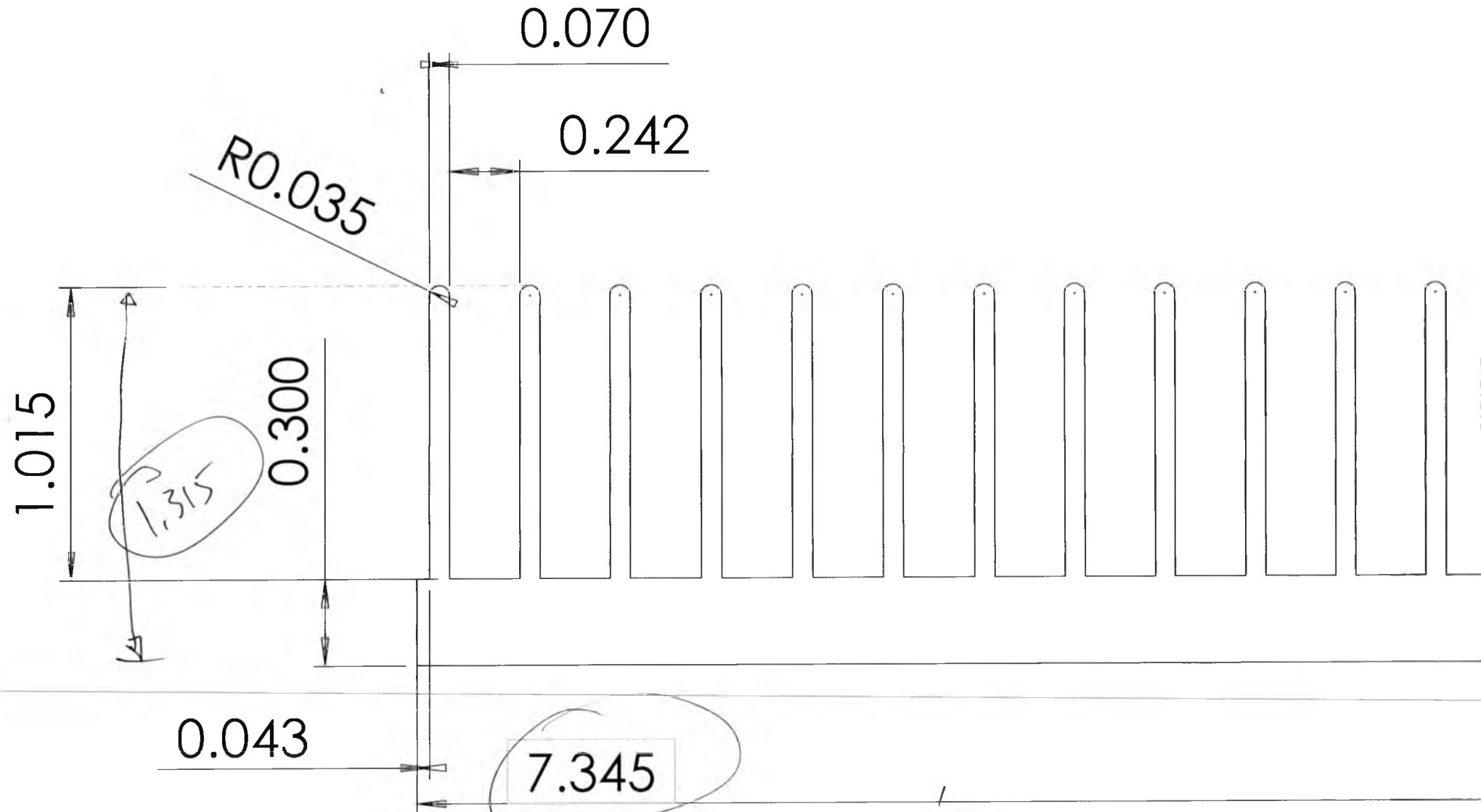
Inner Panel for extrusion support

(0.78)

(1)

(4.15)

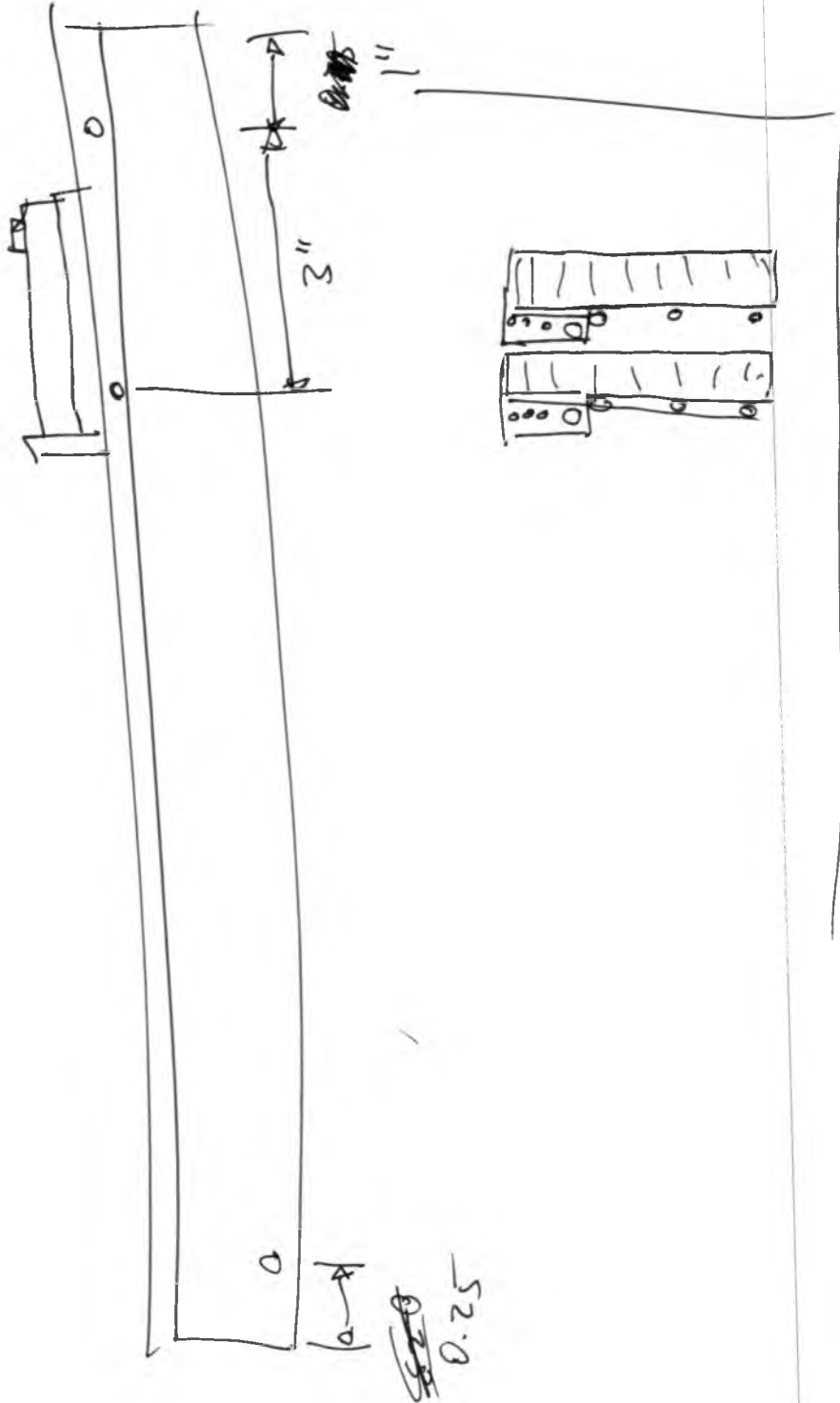
(7.28)

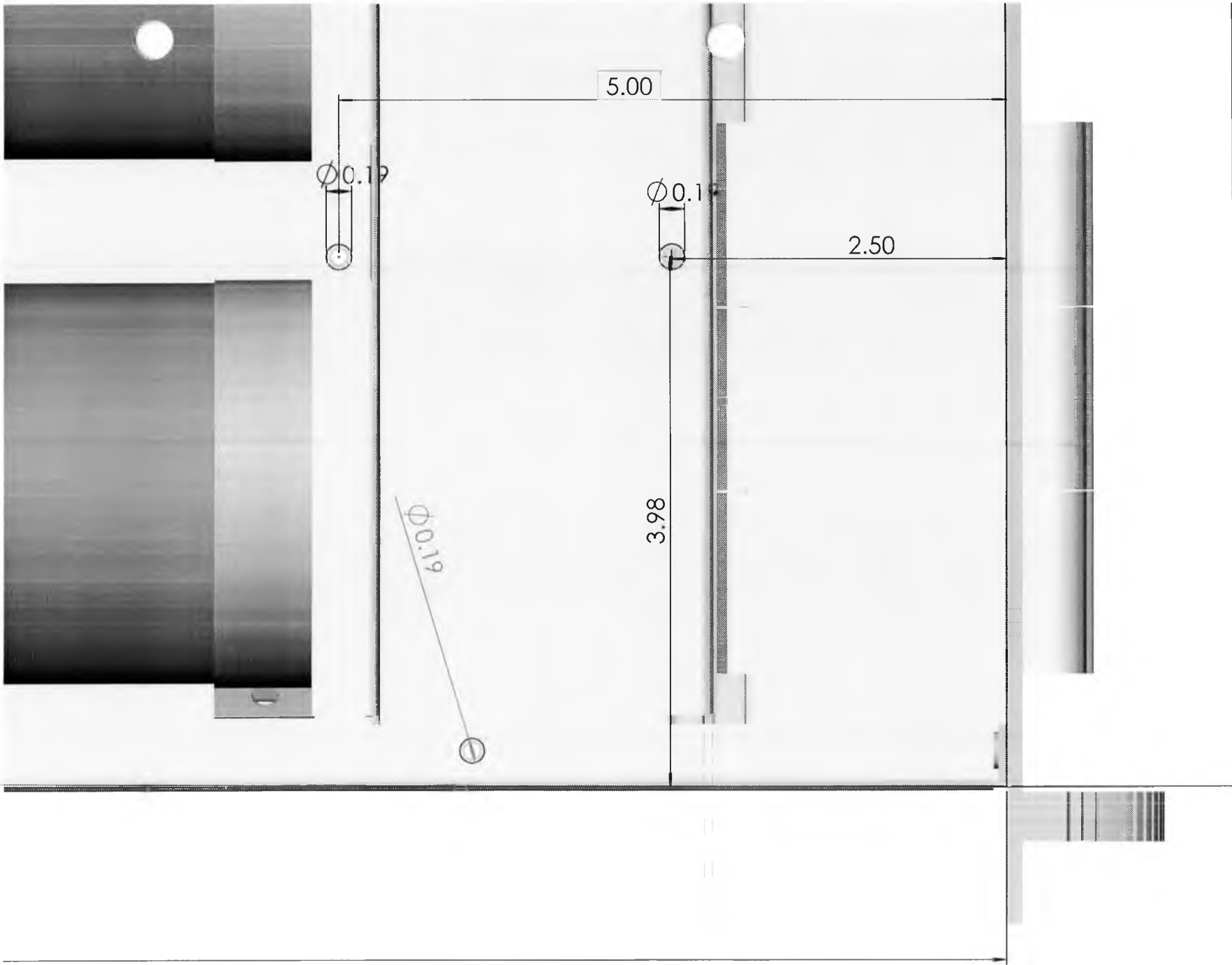


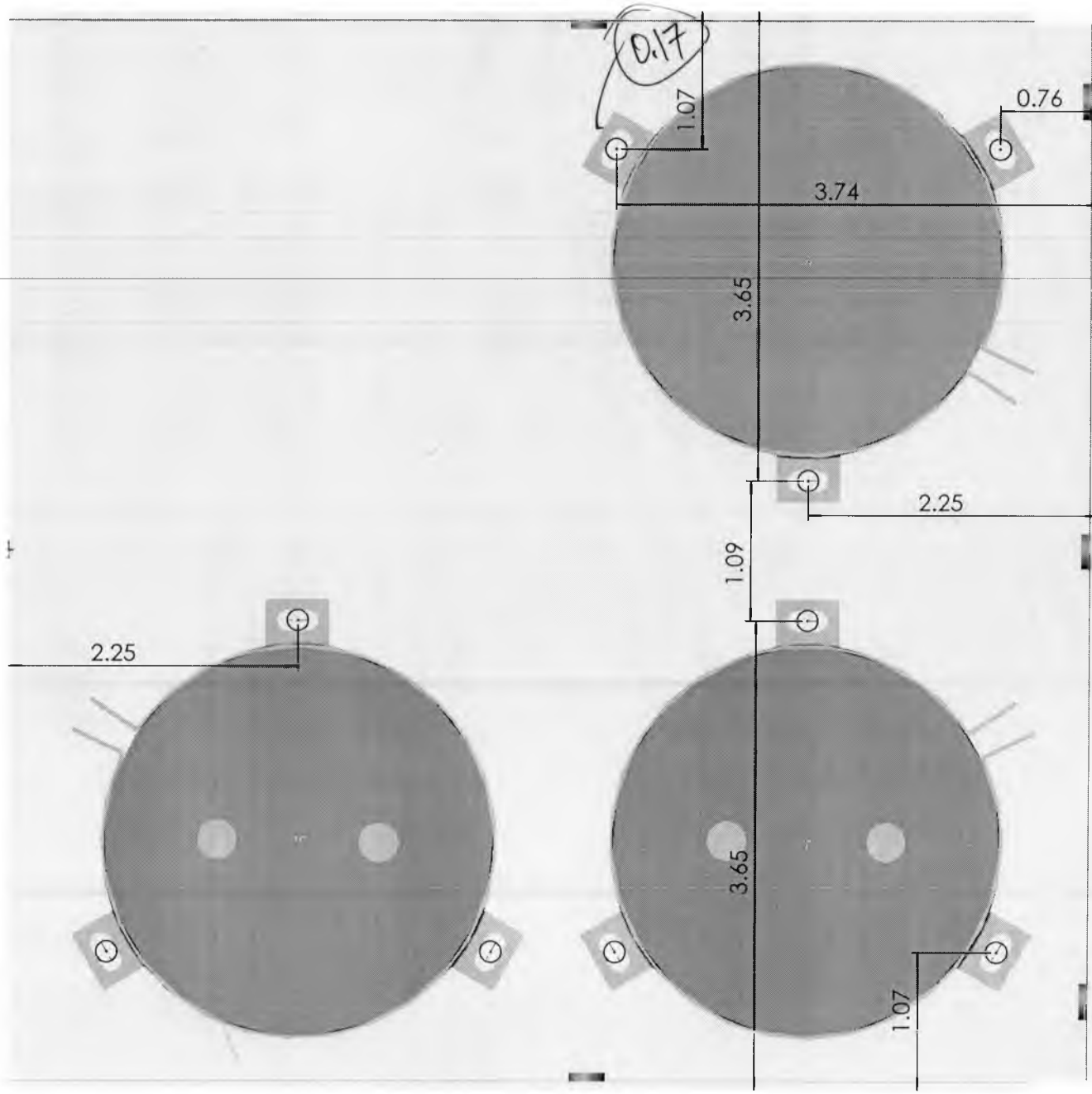
1.315

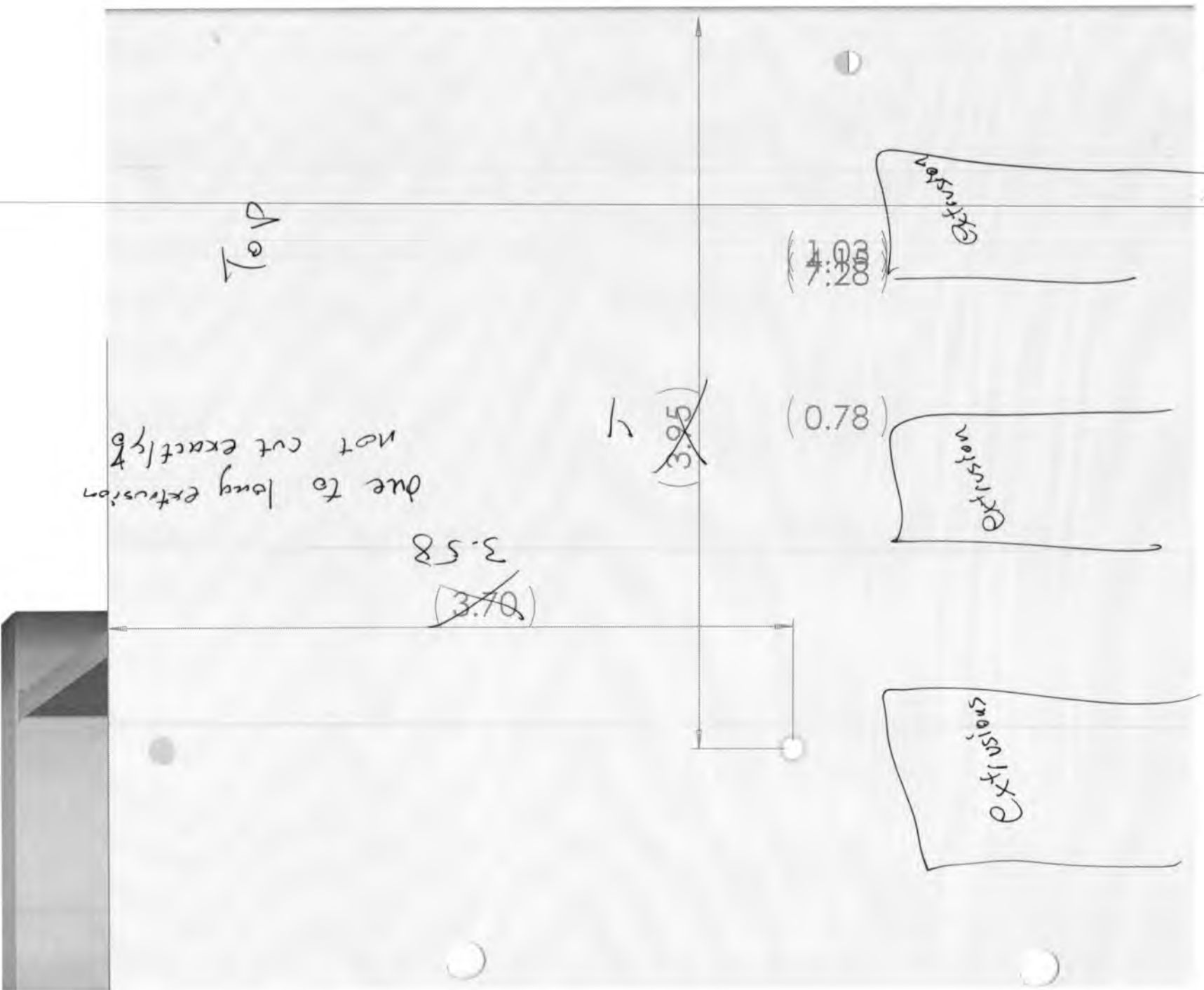
7.345

1.815
1.315
7.345
9.975









due to long extension
not cut exactly

(3.70)
3.58

(3.05) ✓

(4.28)

(0.78)

Extension

Extension

Extension

Top

