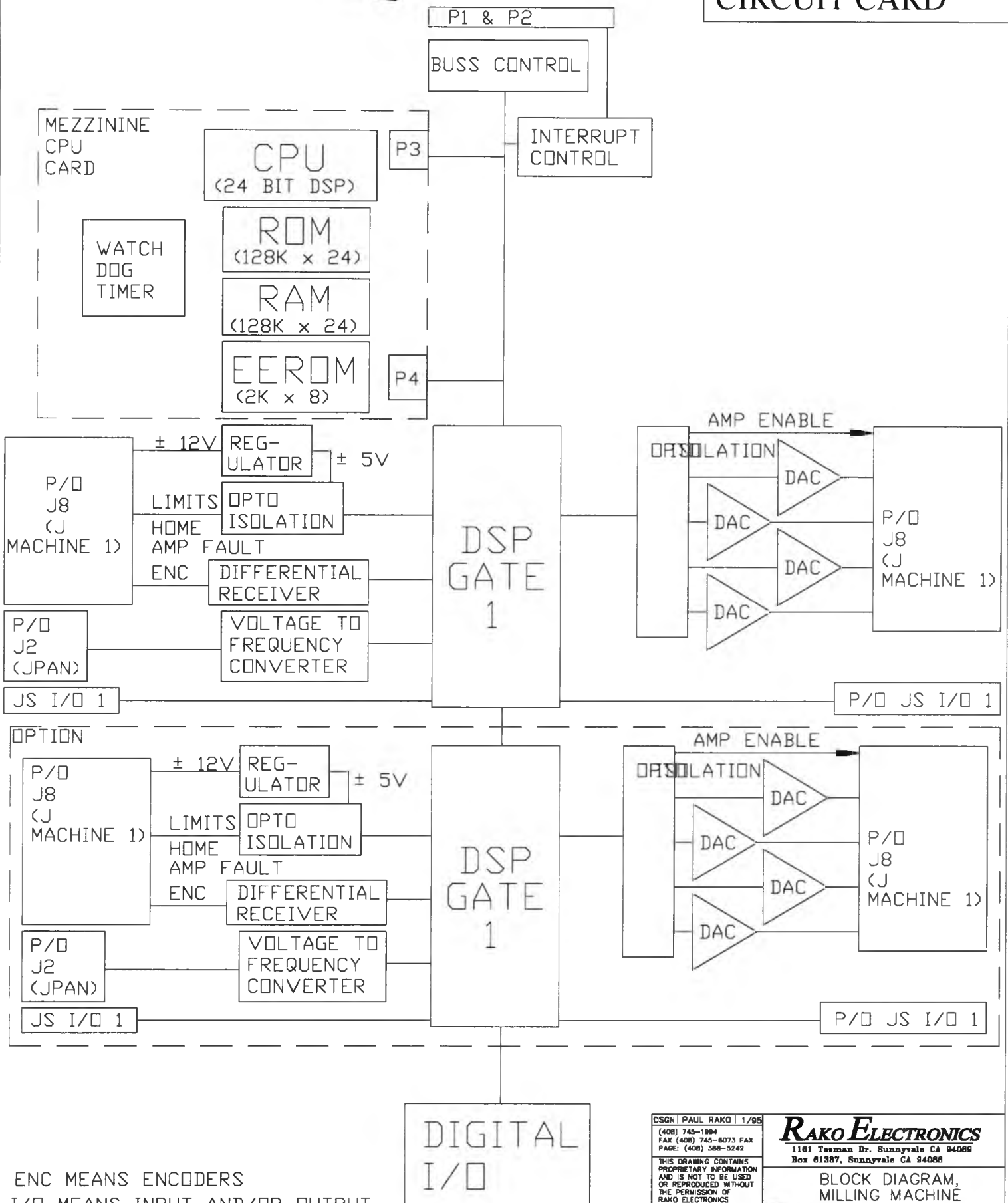


# DELTA TAU PMAC MOTION CONTROL CIRCUIT CARD

+5 V, 1.5A  
± 12 V, 0.25 A

PC BUSS



ENC MEANS ENCODERS  
I/O MEANS INPUT AND/OR OUTPUT  
P/O MEANS PART OFF

DSGN | PAUL RAKO | 1/95  
(408) 745-1994  
FAX (408) 745-8073 FAX  
PAGE: (408) 388-5242  
THIS DRAWING CONTAINS  
PROPRIETARY INFORMATION  
AND IS NOT TO BE USED  
OR REPRODUCED WITHOUT  
THE PERMISSION OF  
RAKO ELECTRONICS  
COPYRIGHT © 1995  
RAKO ELECTRONICS

**RAKO ELECTRONICS**  
1161 Tasman Dr. Sunnyvale CA 94089  
Box 61387, Sunnyvale CA 94088

BLOCK DIAGRAM,  
MILLING MACHINE

SIZE	DRAWING NUMBER	REV.
A	BLOCK1	3
SCALE 1:1 FILE: BLOCK1.DWG		SHEET 1 OF 1