

DELTA TAU PMAC 2 MOTION CONTROL CIRCUIT CARD

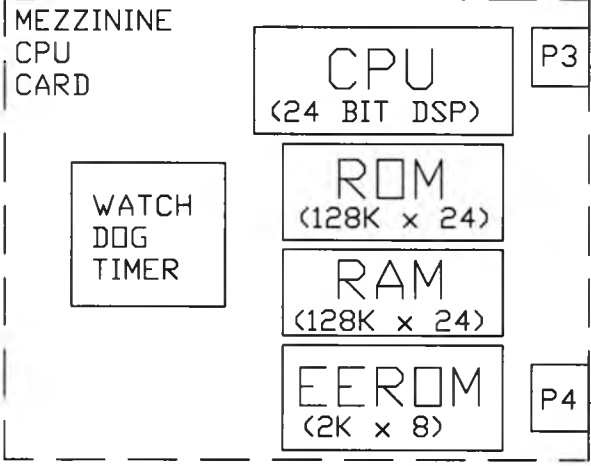
+5 V, 1.5A
± 12 V, 0.25 A

PC BUSS

TB1
POWER IN
(FOR BUSLESS OP)

P1 & P2
BUSS CONTROL

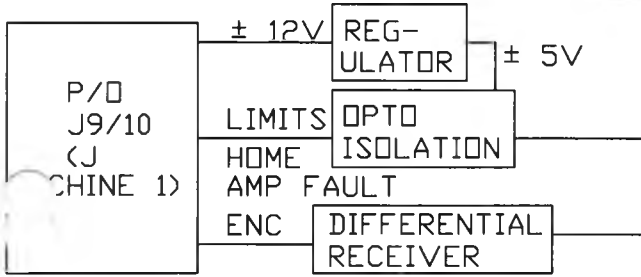
J5
SERIAL PORT



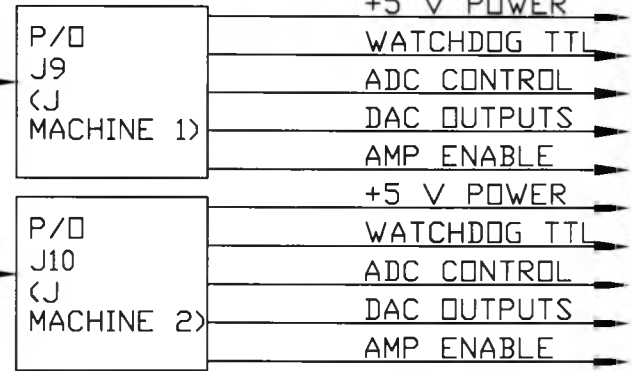
INTERRUPT CONTROL

TB2
WATCHDOG
OUT

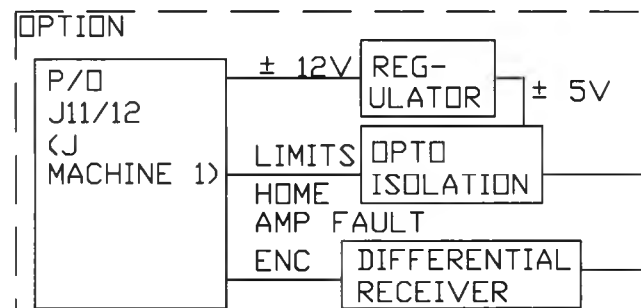
OPTION JRS422/DB9 RS-422 INTER
OPTION JRS422/26PIN RS-422 INTER



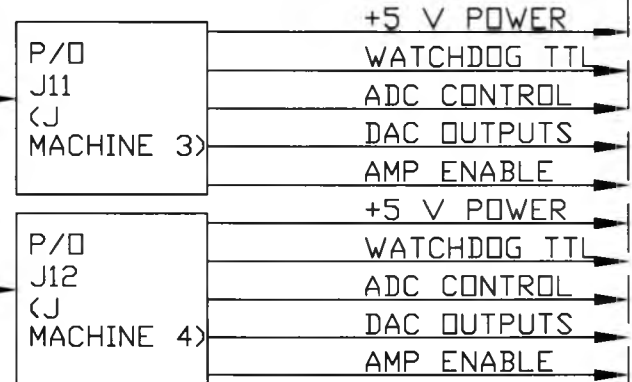
DSP GATE 1



J8
POS COMP



DSP GATE 1



OPTION J1 ANALOG IN

J2 THUMBWHEEL

J3 DIGITAL I/O

DIGITAL I/O

J4 MACRO NET

J7 HANDWHEEL J6 DISPLAY

ENC MEANS ENCODERS
I/O MEANS INPUT AND/OR OUTPUT
P/O MEANS PART OFF

DSGN | PAUL RAKO | 1/95
(408) 748-1984
FAX (408) 748-8073 FAX
PAGE: (408) 388-8242

THIS DRAWING CONTAINS
PROPRIETARY INFORMATION
AND IS NOT TO BE USED
OR REPRODUCED WITHOUT
THE PERMISSION OF
RAKO ELECTRONICS

COPYRIGHT © 1995
RAKO ELECTRONICS

RAKO ENGINEERING
1181 Tamman Dr. Sunnyvale CA 94088
Box 81387, Sunnyvale CA 94088

BLOCK DIAGRAM,
MILLING MACHINE

SIZE DRAWING NUMBER
A BLOCK2

REV.
2

SCALE 1:1 FILE: BLOCK1.DWG SHEET 1 OF 2