

# DELTA TAU PMAC MOTION CONTROL CIRCUIT CARD

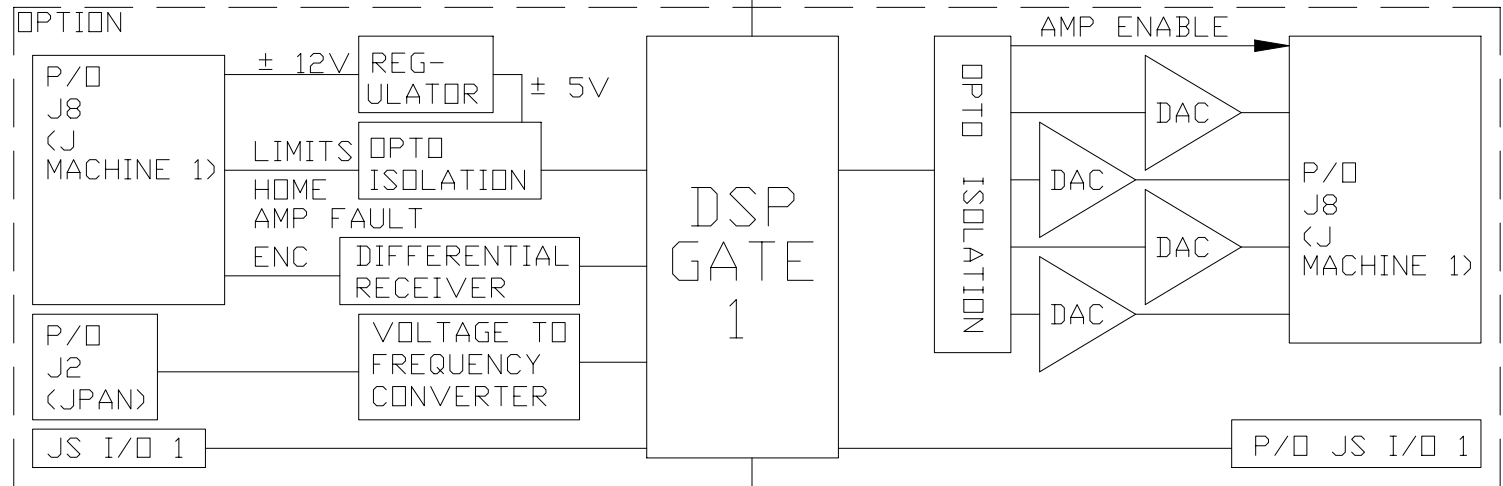
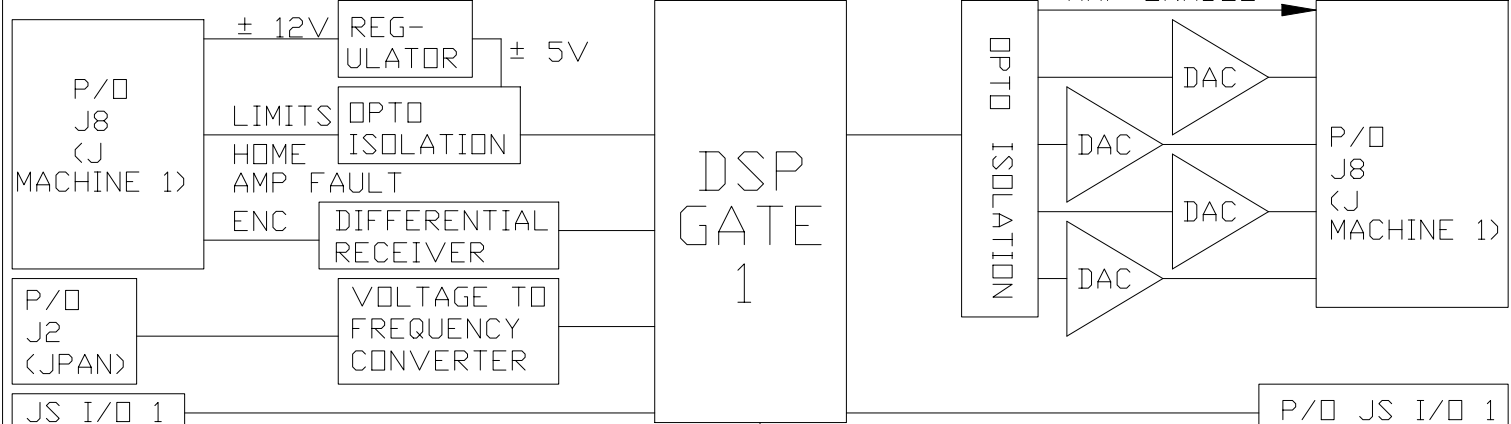
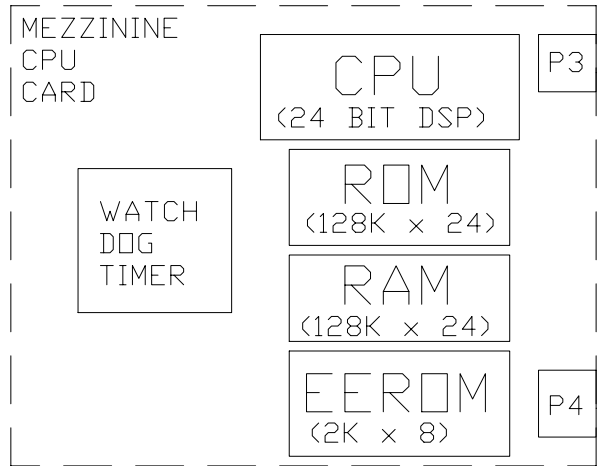
+5 V, 1.5A  
± 12 V, 0.25 A

PC BUSS

P1 & P2

BUSS CONTROL

INTERRUPT CONTROL



DIGITAL I/O

ENC MEANS ENCODERS  
I/O MEANS INPUT AND/OR OUTPUT  
P/O MEANS PART OFF

DSGN | PAUL RAKO | 1/95  
(408) 745-1994  
FAX (408) 745-6073 FAX  
PAGE: (408) 388-5242  
THIS DRAWING CONTAINS  
PROPRIETARY INFORMATION  
AND IS NOT TO BE USED  
OR REPRODUCED WITHOUT  
THE PERMISSION OF  
RAKO ELECTRONICS  
COPYRIGHT © 1995  
RAKO ELECTRONICS

**Rako Electronics**  
1161 Tasman Dr. Sunnyvale CA 94089  
Box 61387, Sunnyvale CA 94088

BLOCK DIAGRAM,  
MILLING MACHINE

|                              |                |              |
|------------------------------|----------------|--------------|
| SIZE                         | DRAWING NUMBER | REV.         |
| A                            | BLOCK1         | 3            |
| SCALE 1 : 1 FILE: BLOCK1.DWG |                | SHEET 1 OF 1 |