

SM Series Cases

7

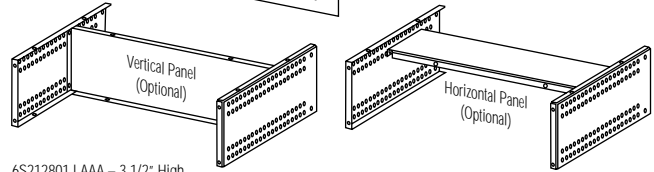
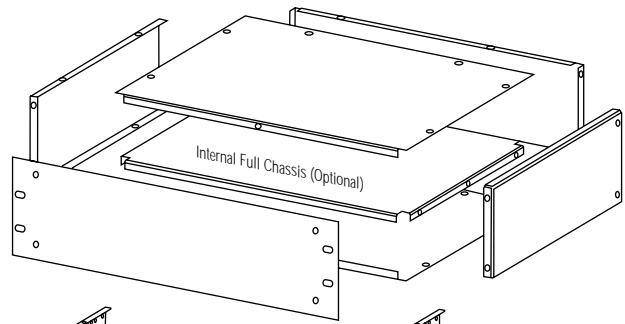
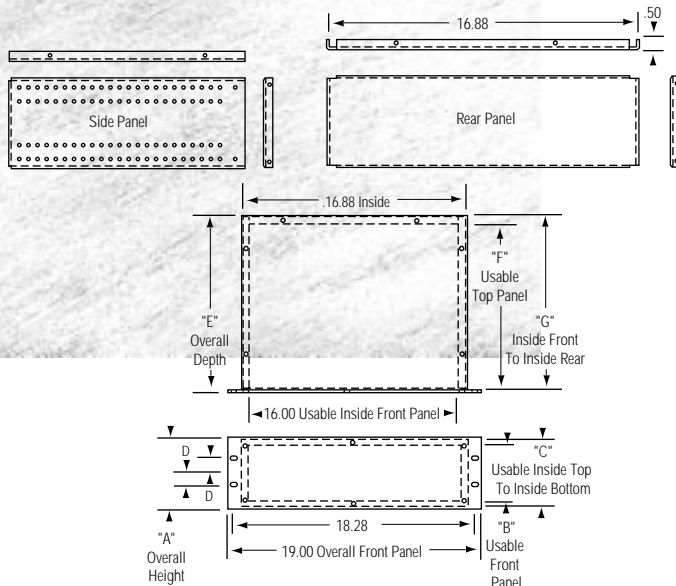


Buckeye  **ShapeForm™**
"Where Customization is the Standard"

SM Series Ordering

Sheet Metal Cases (SM Series)

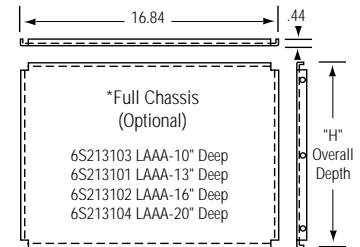
- Four heights and four depths
- 19" wide – rack mountable
- Constructed of sturdy .062" aluminum
- Alodine finish
- Front panel .125" etched and anodized



6S212801 LAAA – 3 1/2" High
 6S212802 LAAA – 5 1/4" High
 6S212803 LAAA – 7" High
 6S212804 LAAA – 8 3/4" High

Height Chart				
Height	A	B	C	D
3 1/2"	3.482	2.408	3.158	1.500
5 1/4"	5.222	4.148	4.898	1.125
7"	6.969	5.895	6.645	2.000
8 3/4"	8.719	7.645	8.395	2.875

Depth Chart				
Depth	E	F	G	H
10"	10.125	9.438	9.938	9.325
13"	13.125	12.438	12.938	12.325
16"	16.125	15.438	15.938	15.375
20"	20.125	19.438	19.938	19.375



SM Series Case Ordering

Ordering the SM Series Case of your choice is simple. Just pick up the phone and call your local Buckeye ShapeForm representative. Or contact us directly at 1-800-728-0776.

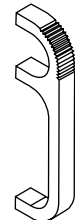
Five Easy Steps to Order Your SM Series Case

1. Tell us the desired height for your SM Case.
2. Tell us the depth to be used.
3. Do you require ventilation?
4. Tell us if you require handles.
5. Specify any components which we can install (connectors, switches, LED screens).

SM Code	Steps							
	1 Height		2 Depth		3 Ventilation		4 Handles	
SM	3 1/2"	35	10"	10	No Vent	0	Handles	H
SM	5 1/4"	52	13"	13	Full Vent	TBS		
SM	7"	70	16"	16				
SM	8 3/4"	87	20"	20	Other sizes available upon request. Ventilation can be ordered individually. (i.e. SM-70-13-TH)			

Customization and Value-Added

- Additional internal mounting chassis
- Heavy duty aluminum handles
- Ventilation
- Component installation
- Subassembly



Specify by Model Number When Ordering

Example: For a SM Series case – 5 1/4" height – 13" depth – with ventilation and handles, see below:

Step		1		2		3			4	
SM Series		Height		Depth		Ventilation			Handles	
S	M	5	2	1	3	T	B	S		H

Please note any modifications when ordering. Call your local representative or factory direct to order any standard accessories.



Electronics enclosures, knobs, seamless cans, precision drawn metal capabilities

Buckeye ShapeForm

555 Marion Road Columbus, OH 43207
 Phone: 614/445-8433 Fax: 614/445-8224
 Toll-free: 1-800-728-0776
 www.buckeyeshapeform.com