

1253 Birchwood Drive
Sunnyvale, CA 94089

Phone: 408-745-6023
800-745-6023
Fax: 408-745-6640
Acctg Fax: 408-745-7426

FAX COVER SHEET

TO: PAUL RAKO
RAKO ELECTRONICS

DATE: 5/9/96
FAX#: 408-745-6073

FROM: DAVE KRETZHUN

NUMBER OF PAGES, INCLUDING COVER SHEET, BEING TRANSMITTED: 1

SUBJECT: RMA AUTHORIZATION

QTY. 1 #5282UC-K20 \$ 87.12
TOTAL CREDIT 87.12

ICC RMA #142066CM.

RETURN TO I.C.C.

REPLACEMENT WILL SHIP FROM TEXAS
ON 5/20/96. DUE TO ICC 5/29/96.

Jose Celentano THANKS
OK,

Please report any problems with this transmission to sender.

FORM #: 019.PMS
REVISED: 12/08/94
SUPERSEDES. 11/30/93

RAKO ELECTRONICS

PURCHASE ORDER

QUOTE NUMBER: NONE

PO NUMBER: 1856

DATE: 12/16/95

SHIP TO: PAUL RAKO
1161 TASMAN DRIVE
SUNNYVALE CA 94089-2228
(408) 745-1994
FAX: (408) 745-6073 :FAX
PAGE: (408) 388-5242 :PAGE

BILL TO: RAKO ELECTRONICS
PO BOX 61387
SUNNYVALE CA 94088-1387
(408) 745-1994
FAX: (408) 745-6073 :FAX

SHIP VIA: UPS ORANGE

VENDOR: ICC / ABB DARRYL
1253-B BIRCHWOOD DRIVE
SUNNYVALE, CA 94089
(408) 745-6023
FAX: (408) 745-6640 :FAX

TERMS: NET 30 **TAXABLE:** YES

LETTER "O" : OOOO
NUMBER ZERO: 0000

ITEM	QTY	PART NUMBER	DISCRIPTION	PRICE
1	3	S272-K4	4 AMP 2 POLE BREAKER	\$ 42.00
2				
3				
4				
5				
6				
7				
8				
9				
10				
11				
12				
13				
14				
15				
16				
17				
18				
19				
20				

TOTAL: \$126.00

RAKO ELECTRONICS

PURCHASE ORDER

PO NUMBER: 1744

DATE: 7/7/95

SHIP TO: PAUL RAKO
1161 TASMAN DRIVE
SUNNYVALE CA 94089-2228
(408) 745-1994
FAX: (408) 745-6073 :FAX
PAGE: (408) 388-5242 :PAGE

BILL TO: RAKO ELECTRONICS
PO BOX 61387
SUNNYVALE CA 94088-1387
(408) 745-1994
FAX: (408) 745-6073 :FAX

SHIP VIA: UPS BLUE

VENDOR: DELTA TAU DATA SYSTEMS CAROL (AMENDED)
9036 WINNETKA AVENUE
NORTHRIDGE, CA 91324
(818) 998-2095
FAX: (818) 998-7807 :FAX

TERMS: NET 30 TAXABLE: YES

LETTER "O" : 0000
NUMBER ZERO: 0000

ITEM	QTY	PART NUMBER	DISCRIPTION	PRICE
1	1	PMAC-PC	MOTION CONTROL CARD	\$ 2899.00
2	1	OPTION 1	4 CHANNEL ADDITIONAL	599.00
3	1	ACC 9	PC EXEC SORTWARE	250.00
4	1	ACC 33	NC CONTROL SOFTWARE	499.00
5	2	ACC 8P	TERMINAL BOARD	2 x 162.00
6				
7				
8				
9				
10				
11				
12				
13				
14				
15				
16				
17				
18				
19				
20				

TOTAL: \$ 4571.00

RAKO ELECTRONICS

PURCHASE ORDER

PO NUMBER: 1744

DATE: 6/23/95

SHIP TO: PAUL RAKO
1161 TASMAN DRIVE
SUNNYVALE CA 94089-2228
(408) 745-1994
FAX: (408) 745-6073 :FAX
PAGE: (408) 388-5242 :PAGE

BILL TO: RAKO ELECTRONICS
PO BOX 61387
SUNNYVALE CA 94088-1387
(408) 745-1994
FAX: (408) 745-6073 :FAX

SHIP VIA: UPS BLUE

VENDOR: DELTA TAU DATA SYSTEMS CAROL
9036 WINNETKA AVENUE
NORTHRIDGE, CA 91324
(818) 998-2095
FAX: (818) 998-7807 :FAX

TERMS: NET 30 TAXABLE: YES

LETTER "O" : 0000
NUMBER ZERO: 0000

ITEM	QTY	PART NUMBER	DISCRIPTION	PRICE
1	1	PMAC-PC	MOTION CONTROL CARD	\$ 2899.00
2	1	OPTION 1	4 CHANNEL ADDITIONAL	599.00
3	1	ACC 9	PC EXEC SORTWARE	250.00
4	1	ACC 33	NC CONTROL SOFTWARE	499.00
5				
6				
7				
8				
9				
10				
11				
12				
13				
14				
15				
16				
17				
18				
19				
20				

TOTAL: \$ 4247.00

CONSOLIDATED PARTS INC.

AUTHORIZED DISTRIBUTORS OF INDUSTRIAL ELECTRICAL PARTS

2040 JUNCTION AVE. PH: (408) 435-1200 SAN JOSE, CA 95131-2186
FAX (408) 435-1443

ORIGINAL

WORK ORDER

SHIPPER NUMBER: 39142 CUSTOMER NUMBER: COD COD COD COD COD COD COD COD COD COD COD Oct 24, 1995

SOLD TO: **Rako Electronics**
1161 TASMAN DR.
SUNNYVALE, CA

S
H
I
P
T
O

TAX CODE: SPECIAL PACKAGE MARKS:

RESALE TAXABLE EXEMPT OOS: **T** CUSTOMER ORDER NUMBER: RELEASE NUMBER: ORDER PLACED BY: **Paul Rako** PHONE NUMBER: **745-1994**

DATE SHIPPED: **10/24/95** SALESMAN NAME: **GLENN HANSON C** BACK ORDER NO.: **8** SHIP VIA: **WIC** INS. VALUE: CTNS: WEIGHT: PACKAGE ID #:

QUAN. ORD.	QUAN. SHIP	QUAN. B/O	DESCRIPTION	UNIT PRICE EACH	EXTENSION	% DISCOUNT	NET AMOUNT
1	1		5745N A-H PLUG	46.00		-	46.00
1	1		10610 " "	33.40		-	33.40
1	1		60612 " "	25.50		-	25.50
							104.90
							Tx 8.13
							113.03

Paul Rako
CK# 1848

CUSTOMER'S SIGNATURE: **X** *[Signature]*

MINIMUM BILLING
\$25.00 NET PER ORDER

FREIGHT OUT: TOTAL →

A RESTOCKING CHARGE APPLIES ON RETURNED MERCHANDISE. ALL CLAIMS AND RETURNED GOODS MUST BE ACCOMPANIED BY THIS BILL AND MADE WITHIN 10 DAYS OF RECEIPT OF MERCHANDISE. NO RETURNS ACCEPTED WITHOUT PRIOR WRITTEN APPROVAL. PRICES CHARGED ARE THOSE IN EFFECT AT TIME OF SHIPMENT.

PICKING TICKET *****

PAGE: 1
WHSE: 01
DATE: 01/02/96

SOLD TO:
014203
RAKO ELECTRONICS
1161 TASMAN DRIVE
SUNNYVALE CA 94088

SHIP TO:
RAKO ELECTRONICS
1161 TASMAN DRIVE
SUNNYVALE CA 94088

CUST PO#: 1856 ORDERED BY: PAUL RAKO REQUEST DATE: 01/05/96
CUST JOB#: --1 TAKEN BY: DH DATE ENTERED: 12/19/95
ICC SO#: 138197--1 SHIP VIA: UPS DATE SHIPPED: 1/5/96
SALESMAN: 010 INBOUND FRT: \$ CARRIER SHIPPING NO.
FOB: SUNV OUTBOUND FRT: \$ 2.55
SHIPPED BY: C.O.D. CHARGE: \$
CHECKED BY: TOTAL FREIGHT: \$ 2.55
1 CARTONS PALLETS
TOTAL SHIP WT: 3

LN#	PRODUCT NUMBER	QTY	QTY	QTY	U/M	NET	EXTENDED
	CATALOG NO./DESCRIPTION	ORDERED	SHIPPED	B/O		PRICE	AMOUNT
2	*ASEA-01 S282UC-K20 CKT PROTECTOR 2P 20A 500VDC	3	(3)	3	0 EA		

CUSTOMER SIGNATURE: _____

408-745-1994/408-745-6073

NO RETURNS ACCEPTED WITHOUT PRIOR WRITTEN AUTHORIZATION.
ANY SHORTAGES OR INTERIOR DAMAGE MUST BE REPORTED WITHIN 5 DAYS.
EXTENDING CARRIER DAMAGE MUST BE REPORTED TO CARRIER IMMEDIATELY.



**Industrial
Control
Components**

Distributors of Electrical Components

1253-B Birchwood Drive
Sunnyvale, CA 94089
(408) 745-6023
FAX (408) 745-6640

***** PICKING TICKET *****

PAGE: 1 **F3**
WHSE: 01
DATE: 01/26/96

SOLD TO:
014203
RAKO ELECTRONICS
1161 TASMAN DRIVE
SUNNYVALE CA 94088

SHIP TO:
RAKO ELECTRONICS
COA PAUL RAKO @
408-745-1995

CUST PO#:1843
CUST JOB#:
ICC SO#:138859
SALESMAN:010
FOB:SUNV
SHIPPED BY: [Signature]
CHECKED BY: [Signature]

ORDERED BY:PAUL RAKO
TAKEN BY:JH
SHIP VIA:WILL CALL
INBOUND FRT:\$ _____
OUTBOUND FRT:\$ _____
C.O.D. CHARGE:\$ _____
TOTAL FREIGHT:\$ _____

REQUEST DATE:01/26/96
DATE ENTERED:01/16/96
DATE SHIPPED: 1/22/96
CARRIER SHIPPING NO. _____

_____ CARTONS _____ PALLETS
TOTAL SHIP WT: _____

LN#	PRODUCT NUMBER	QTY	QTY	QTY	U/M	NET	EXTENDED
	CATALOG NO./DESCRIPTION	ORDERED	SHIPPED	B/O		PRICE	AMOUNT
✓ 1	900075320600050 PSB-END6 CP ENDCAPS TYPE-6	10	10	0	EA		

TO REPLACE MATERIAL CREDITED AND
RETURNED ON RMA # 138599CM

CUSTOMER SIGNATURE: [Signature]

408-745-1994/408-745-6073

NO RETURNS ACCEPTED WITHOUT PRIOR WRITTEN AUTHORIZATION.
ANY SHORTAGES OR INTERIOR DAMAGE MUST BE REPORTED WITHIN 5 DAYS.
EXTERIOR CARTON DAMAGE MUST BE REPORTED TO CARRIER IMMEDIATELY.

PROMAGNAST ORDER



NEWARK ELECTRONICS
500 N. PULASKI
CHICAGO, IL 60624

283

AIRBORNE ZDA
288

TO: RAKO ELECTRONICS
1161 TASMAN DRIVE

SUNNYVALE CA 94089 288

ORDER NO. 401354-00-9
ACCOUNT NO. A5-L1T7P-99
PLACED BY
PHONE NO.
ROUTING AIRBORNE ZDA

ZONE 8

R. SOTERREZ



A7405654001

RETURN POSTAGE GUARANTEED

CUSTOMER ORDER NO. 1752	RELEASE NO.	SHIP BY 90	SOLD BY A5	NEWARK REF. NO. 401354-00	ITEM COUNT 1
----------------------------	-------------	---------------	---------------	------------------------------	-----------------

PAGE	SALESMAN	DATE TAKEN	YES TAX	NO	SHIP POINT	F.O.B. DEST.		TOTAL CHARGES	DATE SHIPPED	
1	RHB	12/27/95	**				L1T7P-99 401354-00			
ITEM NO.	ORDERED	QUANTITY UNIT OF MEASURE	SHIPPED	B/O	STOCK NO.	CONTROL	DESCRIPTION	MANUFACTURER	WAREHOUSE LOCATION	PICKER NO.
1	4	EA-0001	4		51F 2827		Z5-522-7453	3340-WIEL	X-419-B-12	1
*****						THIS ORDER HAS BEEN SPLIT				
						5 ENTERED AS CUST-NO:				
						5 L1T7P - 0				



500 N. PULASKI CHICAGO, IL 60624

ALL CLAIMS AGAINST THIS INVOICE MUST BE MADE WITHIN 10 DAYS

Q.A.	CHECKED BY	PACKED BY
------	------------	-----------

QUOTATION

TO: RAKO ELECTRONICS
1161 TASMAN
SUNNYVALE, CA 64089

DATE: 01-05-96

QUOTE# 6379

ATTN: PAUL RAKO

CC: BRM SALES

<u>DESCRIPTION</u>	<u>QUANTITY</u>	<u>UNIT COST</u>
3-PHASE POWER TRANSFORMER	1	\$ 410.00
WITH FLEX LEAD TERMINATIONS	5	332.25
DESIGNED FOR FORCED AIR COOLING	10	310.00
INPUT: 208V LINE-TO-LINE 60HZ WYE	25	290.00
OUTPUT: 120V LINE-TO-LINE 29A 6KVA WYE	50	269.50
TEMPERATURE RISE WITHOUT AIR: 136°C	100	251.75
OVERALL DIMENSIONS:	250	234.50
8 1/8 H X 11 W X 4 5/8 D	500	223.50
WEIGHT: 56LBS. APPROX.		

* Shape part number to be assigned to custom units upon receipt of order *

PRICES EFFECTIVE FOR 90 DAYS FROM DATE OF QUOTATION. LEAD TIMES FOR ALL UNITS INDICATED ARE 4-5 WEEKS A.R.O. ALL SHAPE CUSTOM PRODUCTS ARE WARRANTED AGAINST DEFECTS IN MATERIAL AND WORKMANSHIP FOR 12 MONTHS AFTER SHIPMENT DATE.
TERMS AND CONDITIONS: UNITS SHIPPED F.O.B. ADDISON, IL COLLECT.
INVOICES PAYABLE: NET 30 DAYS.

QUOTED BY:


KELLY K. GARRIGAN



2105 Corporate Drive, Addison, IL 60101
 Phone (708) 620-8394
 1-800-367-5811
 FAX # (708) 620-0784

SALES ORDER # 035528
 Prior Order # 000000

DATE: 01/08/96

CUSTOMER # 025552

TERRITORY 282

BILL TO:

RAKO ELECTRONICS
 P.O. Box 61387
 Sunnyvale CA 94088-1387

SHIP TO:

RAKO ELECTRONICS
 1161 Tasman Drive
 Sunnyvale CA 94089-2228

Kelly

*DAVE PUMMER
 BOSS - GREG BERELCHY*

CUSTOMER P.O. # 1936	TERMS Net 30 days	SHIP VIA UPS/Blue
-------------------------	----------------------	----------------------

ITEM #	SHAPE P/N	DESCRIPTION	QTY	UNIT PRICE	REQUESTED DATE
1	Z3540	Transformer * New Design *	1	410.00	01/25/96
				TOTAL:	840.00

FREIGHT CHARGES:

Comments:

BELL ELECTRICAL SUPPLY

316 Mathew Street, Santa Clara CA 95050



This is the Fax!!!

"Bell Electrical supply is in business to provide error free service and top quality products that enable Bell to exceed customer expectations and achieve industry leadership."

FAX LEAD SHEET

TO:

Name: Paul Rako

Company: Schlumberger

Phone: _____

Fax: 437-5246

From:

Name: R. E. (Ernie) Pelschel

Date: 12/15/95 No. Pages: 4

Phone: (408) 727-2355

Fax: (408) 748-0376

Message:

Paul - Following is the info on the transformer we talked about this PM. T-2 name T2-52140-15. @ \$164⁰⁰/ea.

*Thank
Ernie*

"QUALITY - SERVICE - INNOVATION"

GROUP V

1.733

195V



208 PRIMARY VOLTS — 120/240 SECONDARY VOLTS — THREE WINDING — 1Ø, 60 Hz

KVA	CATALOG NO.	APPROX. DIMENSIONS (Inches)			APPROX. SHIP WEIGHT	TYPE MTG. W - Wall F - Floor	Knockouts	Weather Shield P/N	Electrical Connections and Design Figures Begin on Page 42
		Height	Width	Depth					
1.0	T-2-53140-1S	10.50	5.50	5.13	24	F&W	1/2-3/4	NA	8-B
1.5	T-2-53141-1S	11.62	5.50	5.13	30	F&W	1/2-3/4	NA	8-B
2.0	T-2-53142-1S	13.00	5.50	5.13	38	F&W	1/2-3/4	NA	8-B
3.0	T-2-53143-1S	14.50	10.31	7.13	55	F&W	3/4-1 1/4	NA	8-C
5.0	T-2-53144-1S	14.30	10.31	7.13	75	F&W	3/4-1 1/4	NA	8-C
7.5	T-2-53145-1S	15.19	13.50	10.84	115	F&W	3/4-1 1/4	NA	8-D
10.0	T-2-53646-1S	15.19	13.50	10.84	125	F&W	3/4-1 1/4	NA	8-D
15.0	T-2-53647-1S	16.94	14.12	11.59	170	F&W	1-1 1/2	NA	8-D
25.0	T-2-53648-1S	18.44	16.13	13.34	250	F&W	1-1 1/2	NA	8-D

GROUP VI

2.3

147V

277 PRIMARY VOLTS — 120/240 SECONDARY VOLTS — THREE WINDING — 1Ø, 60 Hz

KVA	CATALOG NO.	APPROX. DIMENSIONS (Inches)			APPROX. SHIP WEIGHT	TYPE MTG. W - Wall F - Floor	Knockouts	Weather Shield P/N	Electrical Connections and Design Figures Begin on Page 42
		Height	Width	Depth					
1.0	T-2-53170-1S	10.50	5.50	5.13	24	F&W	1/2-3/4	NA	7-B
1.5	T-2-53171-1S	11.62	5.50	5.13	30	F&W	1/2-3/4	NA	7-B
2.0	T-2-53172-1S	13.00	5.50	5.13	38	F&W	1/2-3/4	NA	7-B
3.0	T-2-53173-1S	14.50	10.31	7.13	55	F&W	3/4-1 1/4	NA	7-C
5.0	T-2-53174-1S	14.36	10.31	7.13	75	F&W	3/4-1 1/4	NA	7-C
7.5	T-2-53675-1S	15.19	13.50	10.84	115	F&W	3/4-1 1/4	NA	7-D
10.0	T-2-53676-1S	15.19	13.50	10.84	125	F&W	3/4-1 1/4	NA	7-D
15.0	T-2-53677-1S	16.94	14.12	11.59	170	F&W	1-1 1/2	NA	7-D
25.0	T-2-53678-1S	18.44	16.13	13.34	250	F&W	1-1 1/2	NA	7-D

GROUP VII

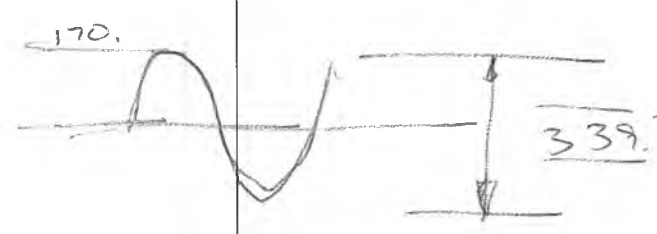
AUTO-TRANSFORMERS

2

169

240 PRIMARY VOLTS — 120/240 SECONDARY VOLTS — 1Ø, 60 Hz

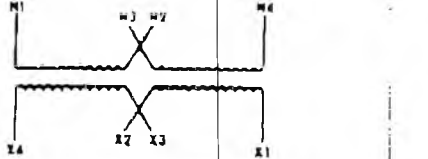
KVA	CATALOG NO.	APPROX. DIMENSIONS (Inches)			APPROX. SHIP WEIGHT	TYPE MTG. W - Wall F - Floor	Knockouts	Weather Shield P/N	Electrical Connections and Design Figures Begin on Page 42
		Height	Width	Depth					
1.0	T-2-53060	9.06	4.37	4.20	15	F&W	1/2-3/4	NA	12-B
1.5	T-2-53061	9.88	4.75	4.51	19	F&W	1/2-3/4	NA	12-B
2.0	T-2-53062	10.50	5.50	5.13	24	F&W	1/2-3/4	NA	12-B
3.0	T-2-53063	11.62	5.50	5.13	30	F&W	1/2-3/4	NA	12-B
5.0	T-2-53064	13.00	5.50	5.13	38	F&W	1/2-3/4	NA	12-D



Electrical Connection Diagrams

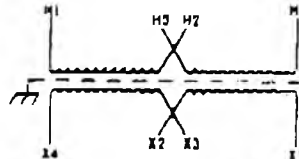
Sections I, II, III & IV

1 PRIMARY: 240 X 480
SECONDARY: 120/240
TAPS: None



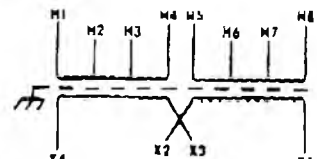
Primary Volts	Connect Primary Lines To	Inter-Connect	Connect Secondary Lines To
480	H1-H4	H2 to H3	
240	H1-H3 & H2, H4		
Secondary Volts			
240		X2 to X3	X1-X4
120/240		X2 to X3	X1-X2-X4
120		X1 to X3 X2 to X4	X1-X4

2 PRIMARY: 240 X 480
SECONDARY: 120/240
TAPS: None



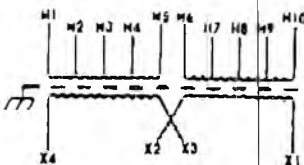
Primary Volts	Connect Primary Lines To	Inter-Connect	Connect Secondary Lines To
480	H1-H4	H2 to H3	
240	H1-H3 & H2, H4		
Secondary Volts			
240		X2 to X3	X1-X4
120/240		X2 to X3	X1-X2-X4
120		X1 to X3 X2 to X4	X1-X4

3 PRIMARY: 240 X 480
SECONDARY: 120/240
TAPS: 2, 2 1/2% ANFC, 2, 2 1/2% BNFC



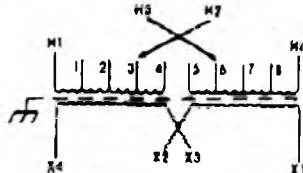
Primary Volts	Connect Primary Lines To	Inter-Connect	Connect Secondary Lines To
252	H1-H8	H1 to H5 H4 to H8	
240	H1-H7	H1 to H5 H3 to H7	
228	H1-H6	H1 to H5 H2 to H6	
504	H1-H8	H4 to H5	
492	H1-H8	H3 to H5	
480	H1-H7	H3 to H5	
468	H1-H7	H2 to H5	
456	H1-H6	H2 to H5	
Secondary Volts			
240		X2 to X3	X1-X4
120/240		X2 to X3	X1-X2-X4
120		X1 to X3 X2 to X4	X1-X4

4 PRIMARY: 240 X 480
SECONDARY: 120/240
TAPS: 2, 2 1/2% ANFC, 4, 2 1/2% BNFC



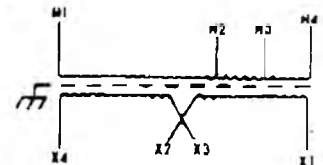
Primary Volts	Connect Primary Lines To	Inter-Connect	Connect Secondary Lines To
216	H1-H10	H1 to H9 H10 to H2	
228	H1-H10	H1-H8 H10 to H3	
240	H1-H10	H1-H7 H10 to H4	
252	H1-H10	H1-H6 H10 to H5	
432	H1-H10	H2 to H9	
444	H1-H10	H3 to H9	
456	H1-H10	H3 to H8	
468	H1-H10	H4 to H8	
480	H1-H10	H4 to H7	
492	H1-H10	H5 to H7	
504	H1-H10	H5 to H6	
Secondary Volts			
240		X2 to X3	X1-X4
120/240		X2 to X3	X1-X3-X4
120		X1 to X3 X2 to X4	X1-X4

5 PRIMARY: 240 X 480
SECONDARY: 120/240
TAPS: 2, 2 1/2% ANFC, 4, 2 1/2% BNFC



Primary Volts	Connect Primary Lines To	Inter-Connect	Connect Secondary Lines To
216	H1-H4	H1, H3, 8 & H2, H4, 1	
228	H1-H4	H1, H3, 7 & H2, H4, 2	
240	H1-H4	H1, H3, 6 & H2, H4, 3	
252	H1-H4	H1, H3, 5 & H2, H4, 4	
432	H1-H4	H2, 1 & H3, 8	
444	H1-H4	H2, 2 & H3, 8	
456	H1-H4	H2, 2 & H3, 7	
468	H1-H4	H2, 3 & H3, 7	
480	H1-H4	H2, 3 & H3, 6	
492	H1-H4	H2, 4 & H3, 6	
504	H1-H4	H2, 4 & H3, 5	
Secondary Volts			
240		X2 to X3	X1-X4
120/240		X2 to X3	X1-X2-X4
120		X1 to X3 X2 to X4	X1-X4

6 PRIMARY: 208
SECONDARY: 120/240
TAPS: 2, 5% BNFC



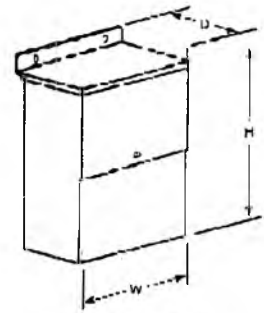
Primary Volts	Connect Primary Lines To	Inter-Connect	Connect Secondary Lines To
208	H1 & H4		
198	H1 & H3		
187	H1 & H2		
Secondary Volts			
240		X2 to X3	X1-X4
120/240		X2 to X3	X1-X2-X4
120		X1 to X3 X2 to X4	X1-X4

GENERAL

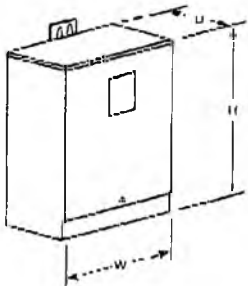
Dimensional Drawings

Sections I, II, III & IV

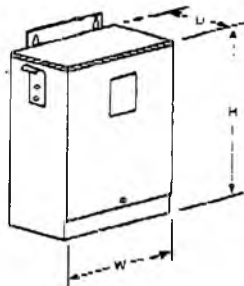
These drawings are for reference only. Contact factory for certified drawings.



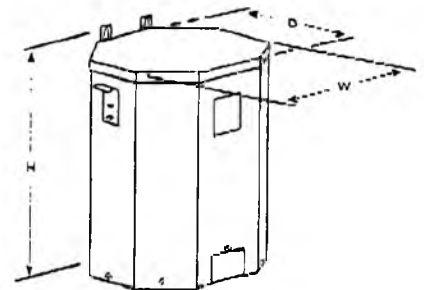
Design A



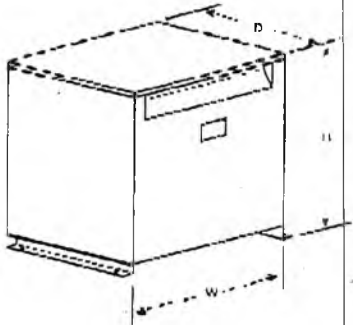
Design B



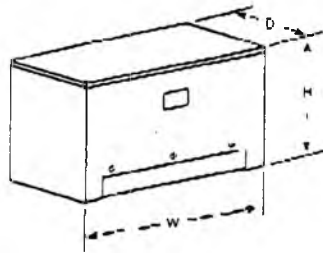
Design C



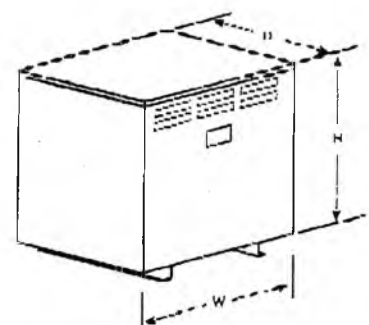
Design D



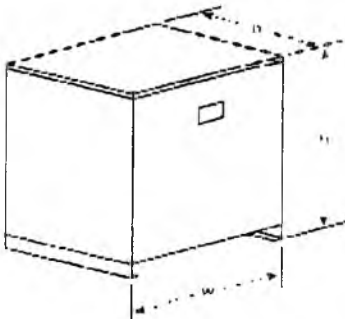
Design E



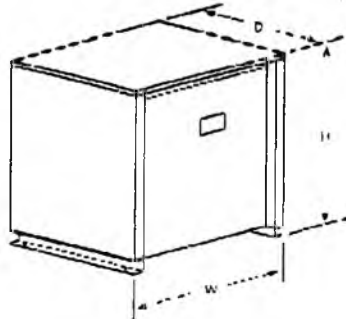
Design F



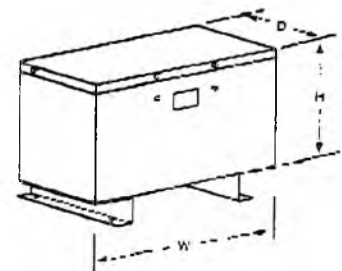
Design G



Design H



Design I



Design J