

THIS INSTRUCTION BOOKLET CONTAINS
IMPORTANT SAFETY INFORMATION. PLEASE
READ AND KEEP FOR FUTURE REFERENCE.

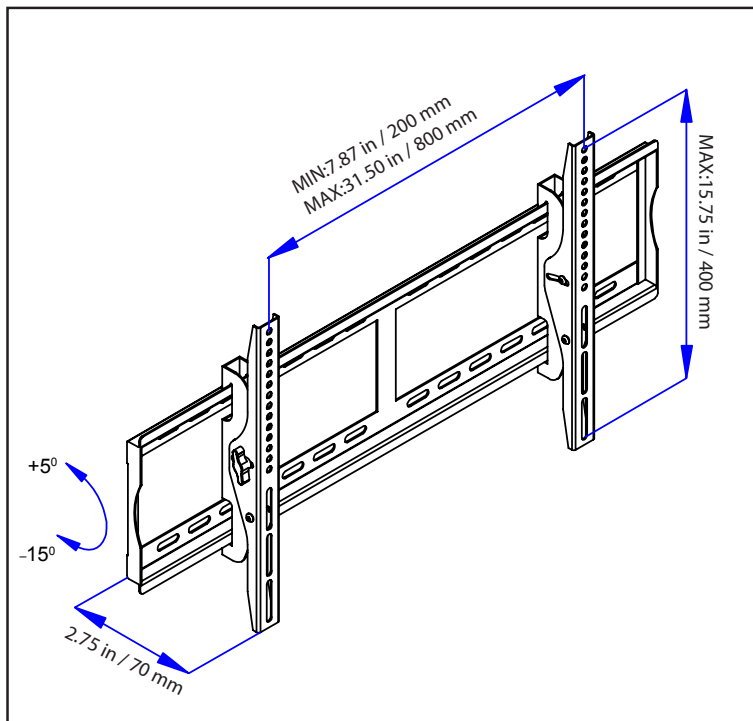
Lot Number: _____

Date: _____

ATLANTIC®

Tilting Wall Mount Fits 37" to 84" Flat Panel TVs

Model No: 63607145, 63607069



Product Warranty: The Manufacturer, warrants to the original purchaser that its products are free from defect in materials or workmanship. If after inspection, we find that the product was defective in materials or workmanship, we shall repair or replace the product at our discretion. This warranty does not cover accidental damage, misuse, improper care or alteration and excludes claims for incidental or consequential loss. This limited warranty applies to product purchased in the U.S. and Canada. This warranty gives you specific legal rights and you may also have other rights which vary from State to State. The warranty duration is one year.

Keep this Instruction Manual for future reference.

Keep your original proof of purchase (store receipt).

If parts are missing, DO NOT return to the store.

To order missing / replacement parts or for assembly assistance please contact customerrelations@tvmountsnow.com

Or call 1-855-828-5679 M- T h, 8am-5pm, Fri, 8am-12pm, P.S.T.

Assembly Tips:

Become familiar with the instructions and all parts.

Make sure that all parts in the box are in good condition.

Assemble the product on the open flat carton or a rug to protect the product and your floor.

Do not install on a sloping surface.

Caution:

Never let children climb on product or play with product.

Do not sit or stand on furniture.

Do not place a weight that is heavier than the recommended load rating on the product surface.

If you do not understand these instructions, or have doubts about the safety of this installation, contact customer service or call a qualified contractor. The manufacturer is not liable for damage or injury caused by incorrect mounting, assembly or use.

The unit will hold a 37 to 84 in (94 to 213 cm) Plasma or LCD TV. The weight of the TV must not exceed 132 lbs (60 kgs). The wall must be capable of supporting five times the weight of the TV plus the mount.

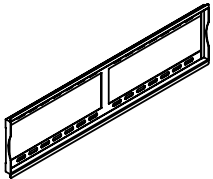
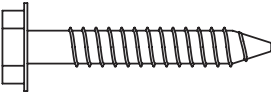

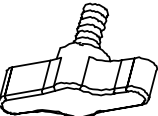


Improper handling can result in cuts and lacerations.

Images are for reference only.


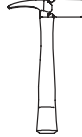
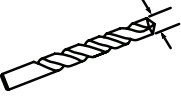
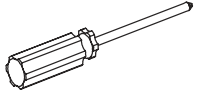
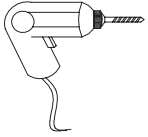

Care Instructions:

Use electrostatic dust cloths to clean product surfaces.

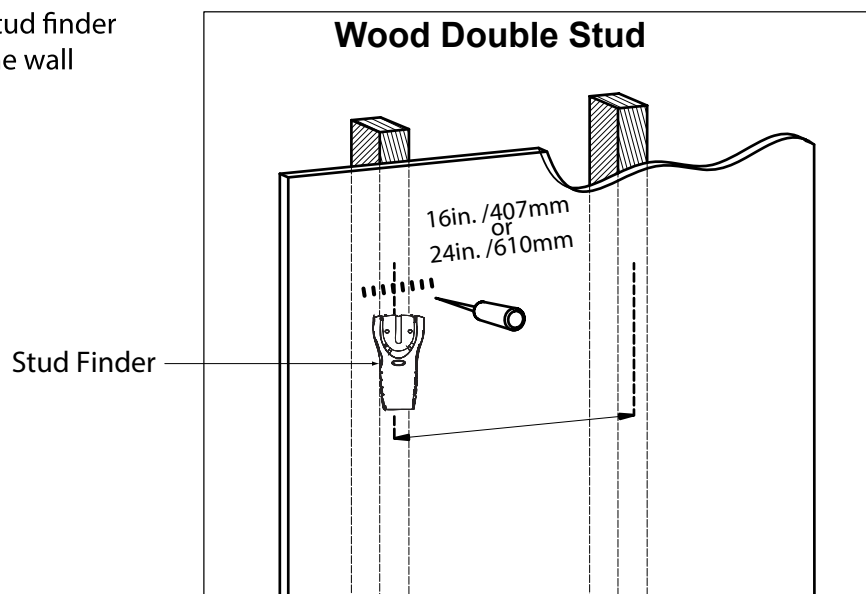
Parts List

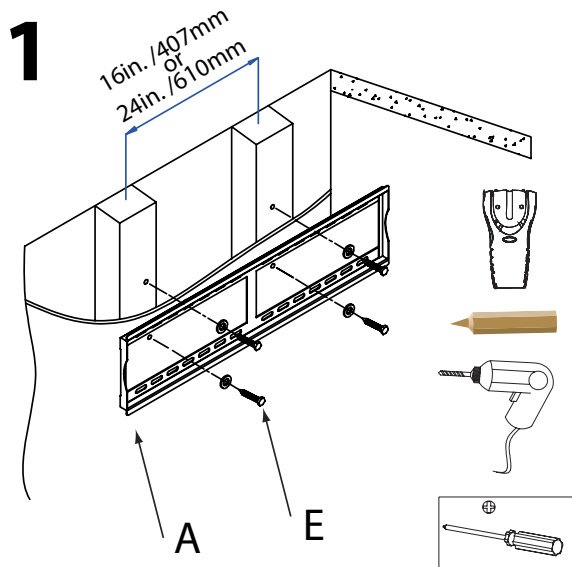
Item	Components	Qty	Item	Components	Qty
A		1	E		4
B		1	F		2
C		1	G		2

Tools Needed (Not Included)

					
Safety Glasses	Hammer	7/32 in. or 5.5 mm Wood Drill Bit	Phillips Screwdriver	Drill	Stud Finder

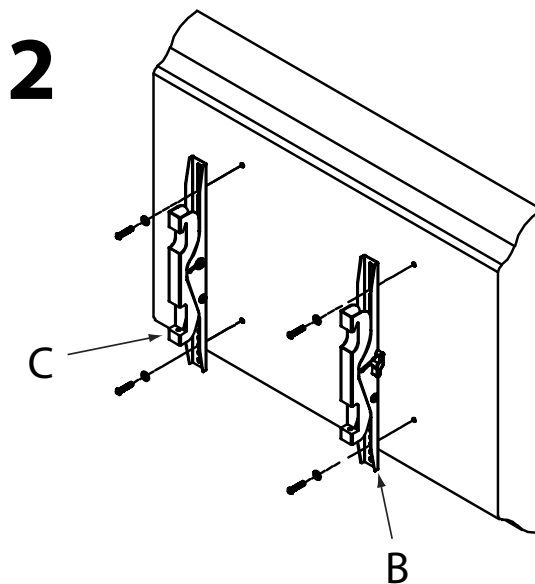
Note: Please use wood stud finder to find the stud in the wall before assembly.





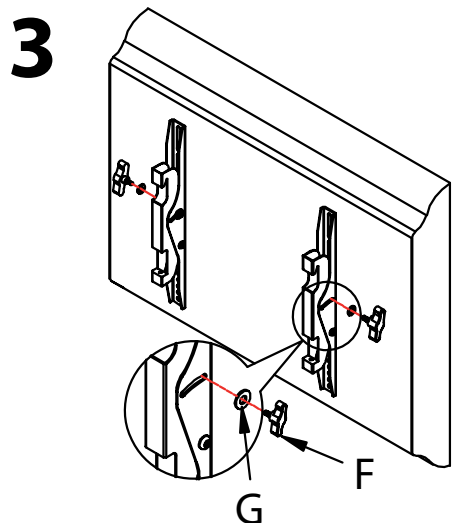
This mount is designed to be attached into wood studs. **DO NOT use wall anchors.** Using a stud finder, find the center of two adjacent studs. With a pencil mark the hole locations at the desired height, making sure you are level. Use the wall plate (A) as a template to mark the two remaining hole locations. Drill pilot holes at four pencil marks 2.5 in. (64 mm) deep, using a 7/32 in. or 5.5 mm diameter drill bit.

Attach wall plate (A) to wall with four washers and screws (E).

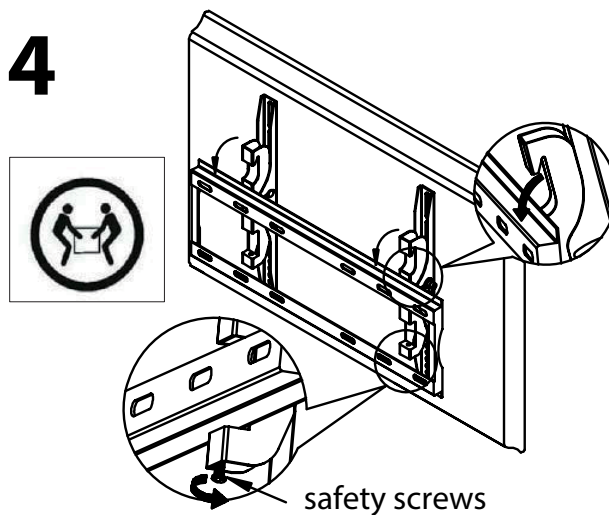


Attach TV mounts (B and C) to the TV back panel. Make sure to select the same height screw holes, so the mounts are centered and level.

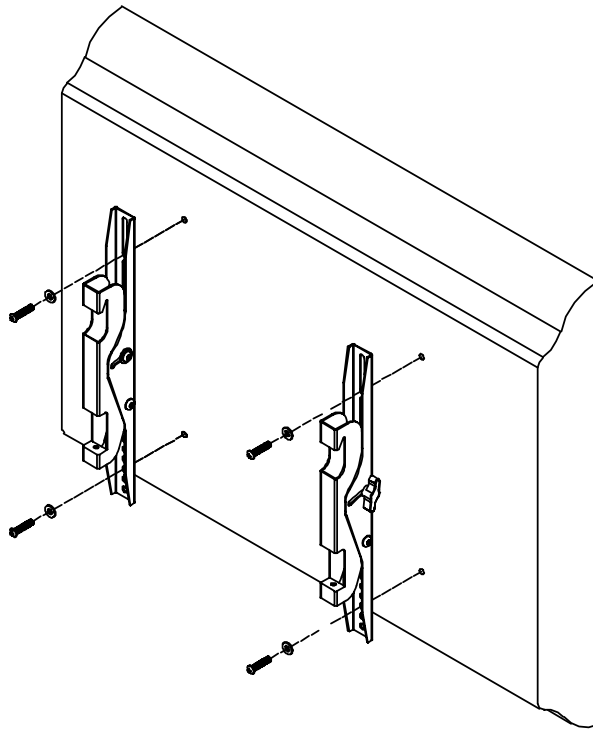
Refer to the next page to select the correct mounting hardware for your TV.



Turn two handles (F) into the mounts through washers (G) but do not tighten. After wall mounting your TV, adjust TV to the desired viewing angle and turn to tighten both handles.















We strongly recommend two people, one on each side, hold the TV. Tilt the top of the TV toward the wall. Carefully position TV mounts (B and C) over the wall plate until both lock in place. Tighten safety screws.



TAKE EXTRA CARE AND PAY ATTENTION WHEN YOU FASTEN THE TWO TV MOUNTS TO THE BACK TV PANEL IN STEP 2. MAKE SURE TO USE THE APPROPRIATE MOUNTING HARDWARE FOR YOUR TV.

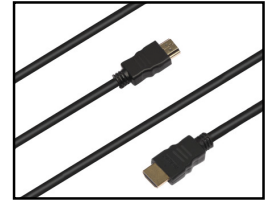
1. Select the correct Mounting Hardware according to the screw hole size on your TV. Discard any remaining screws and spacers.
2. Carefully lay your TV face down on a non-abrasive surface, laying padding underneath it to protect the screen.
3. Place the right and left TV mounts in their appropriate positions, making sure they are CENTERED on the back of the TV and LEVEL with one another.

Mounting Hardware List			Qty	Mounting Hardware List			Qty
H		M8 X 16	4	P		M4 / M5 washer	4
I		M6 X 12	4	Q		M6 / M8 washer	4
J		M5 X 12	4	R		M8 / M6 spacer	4
K		M4 X 12	4	S		M4 / M5 spacer	4
L		M8 X 40	4				
M		M6 X 35	4				
N		M5 X 30	4				
O		M4 X 30	4				

HDMI Cable **Information:**

This Kit includes 1 HDMI™ cable

Each HDMI cable measures 6 feet (1828.8 mm) in length.



Technical Specifications:

1.4 Version

Supports Ethernet and 3D

O.D.: 6.0mm

Single molding

ATLANTIC®

© 2015 Atlantic Inc. Santa Fe Springs, CA, U.S.A.

U.S. and other foreign patents pending /

Patentes de los EU A y países extranjeros en trámite /

Brevets en cours pour les États-Unis et autres pays /

U.S. und andere ausländische Patente sind hängig

All rights reserved / Derechos Reservados /

Tous droits réservés

Made in China / Hecho en China /

Fabriqué en Chine

www.atlantic-inc.com

R1.0 151106 #63607145